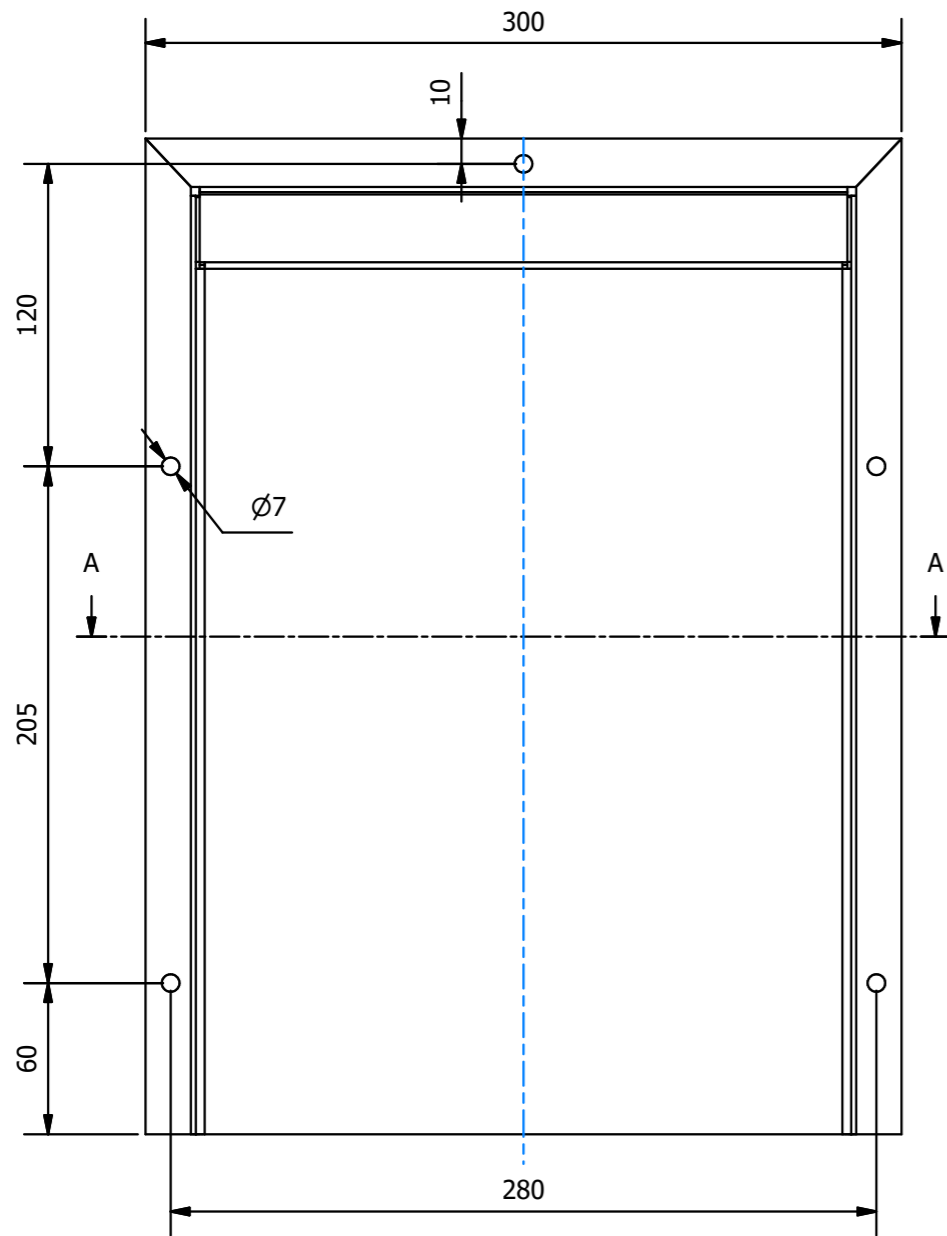
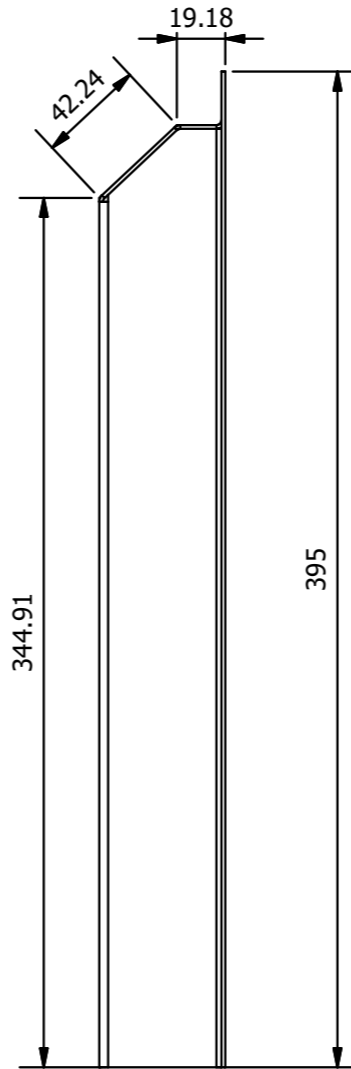


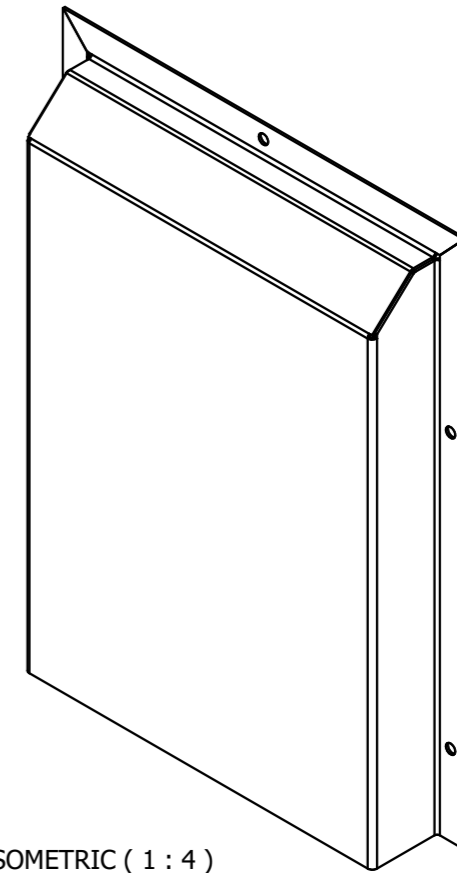
A-A (1 : 3)



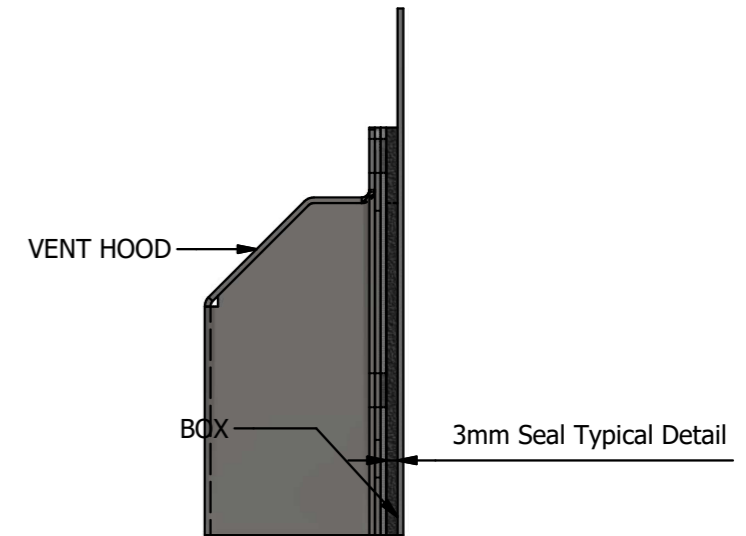
FRONT VIEW (1 : 3)



SIDE VIEW (1 : 3)



ISOMETRIC (1 : 4)



A.E. Stainless Direct
 P: 1300 533 292
 A: 4/36 Devlan St, Mansfield QLD 4122
 E: info@aestainlessdirect.com.au
 W: aestainlessdirect.com.au

ALL DIMENSIONS ARE IN MILLIMETRES.
 UNLESS OTHERWISE SPECIFIED
 TOLERANCES:
 GENERAL: ± 0.5 HOLE CRS: ± 0.2
 HOLE Ø: ± 0.1 ANGLE: ± 0.5°
 CORNER RADS = MATERIAL THICKNESS

CLIENT:
A.E. STAINLESS DIRECT
 DRAWING TITLE:
VHE-400x300x50-RAL7035
 MATERIAL: Mild Steel THICKNESS: 1.5mm
 FINISH: Mild Steel RAL7035 Powder Coated
 INGRESS PROTECTION RATING:

REV	DATE	DRN	CHK	DESCRIPTION

DO NOT SCALE
 THIS DRAWING INFORMATION AND ALL TECHNICAL DATA ENCLOSED HEREIN IS THE PROPERTY OF A.E. STAINLESS DIRECT AND IS NOT TO BE USED FOR REPRODUCTION, MANUFACTURE PROCUREMENT DISCLOSURE TO ANY PARTY WITHOUT THE WRITTEN CONSENT OF A.E. STAINLESS DIRECT
 SURFACE AREA 321826.805 mm²

DRAWN: RR 17/02/2020
 CHECKED: HAROLD
 DESIGN APPROVAL:
 PROJECT APPROVAL:

DRAWING NUMBER:
VHE-400x300x50-RAL7035
 REVISION:
 SCALE: 1 : 3
 SIZE: A3
 SHEET NUMBER: 1 OF 1