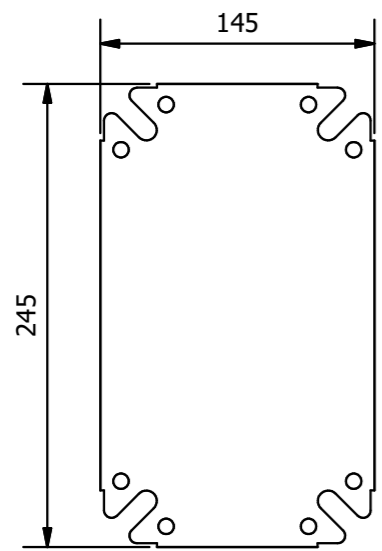
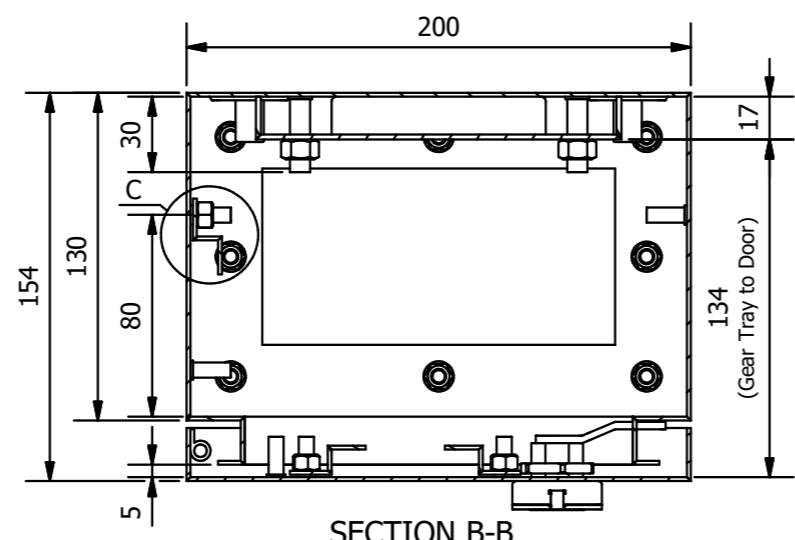


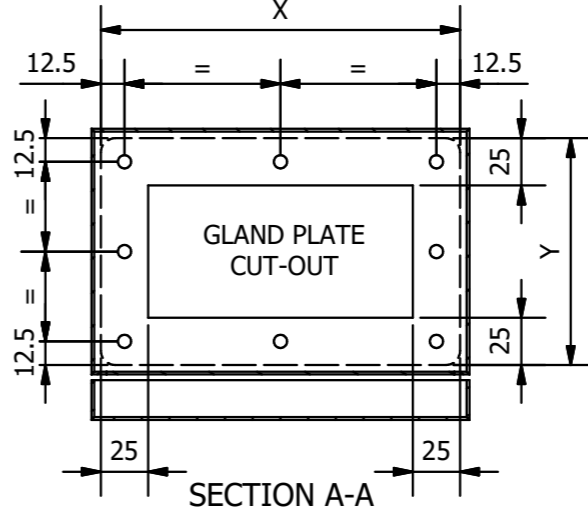
ISOMETRIC BOTTOM VIEW



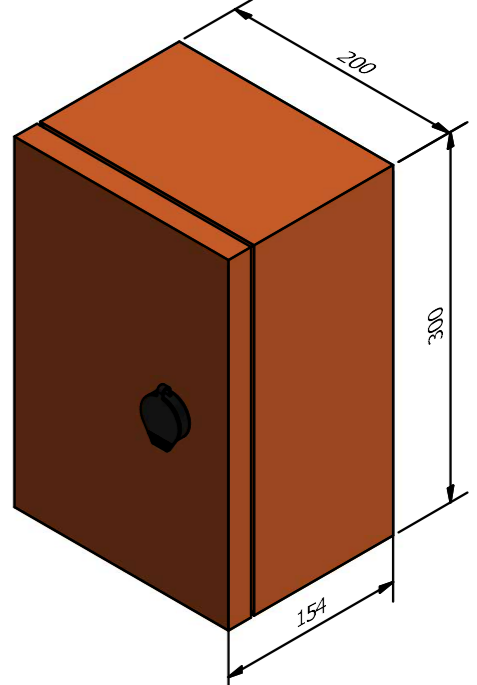
GEAR TRAY



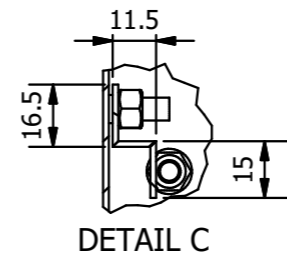
SECTION B-B



SECTION A-A



ISOMETRIC VIEW



DETAIL C

GLAND PLATE OPTIONS			
OPTION	X	Y	FROM SERIAL NO.
A	165	85	
B	150	100	AES1910
C	190	120	AES2008

**Material:**  
 - Enclosure & Lid - 1.5mm MS  
 - X15 Powdercoated Orange  
 - Mounting Pan - 2mm Gal (Powdercoated White)  
**Note:**  
 - No Wall Mounting Nutserts Prior to serial no. AES1707  
 - M6 Wall Mounting Nutserts from serial no. AES1707 to AES1810  
 - M8 Wall Mounting Nutserts after serial no. AES1810

P: 1300 533 292  
 A: 4/36 Devlan St, Mansfield QLD 4122  
 E: info@aestainlessdirect.com.au  
 W: aestainlessdirect.com.au

**ALL DIMENSIONS ARE IN MILLIMETRES.**  
 UNLESS OTHERWISE SPECIFIED

**DO NOT SCALE**

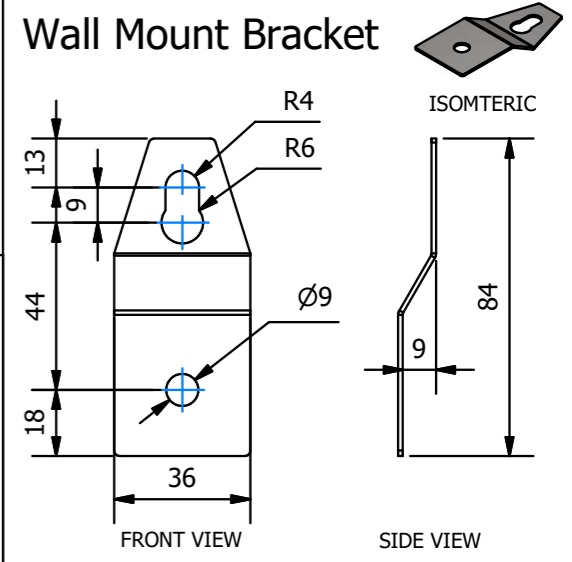
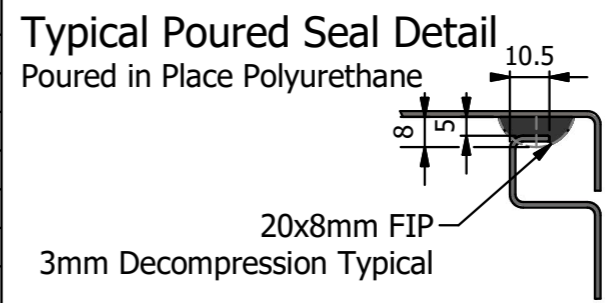
THIS DRAWING INFORMATION AND ALL TECHNICAL DATA ENCLOSED HEREIN IS THE PROPERTY OF A.E. STAINLESS DIRECT AND IS NOT TO BE USED FOR REPRODUCTION, MANUFACTURE PROCUREMENT DISCLOSURE TO ANY PARTY WITHOUT THE WRITTEN CONSENT OF A.E. STAINLESS DIRECT

DRAWING NUMBER:  
**MS-X15**  
**300x200x150**

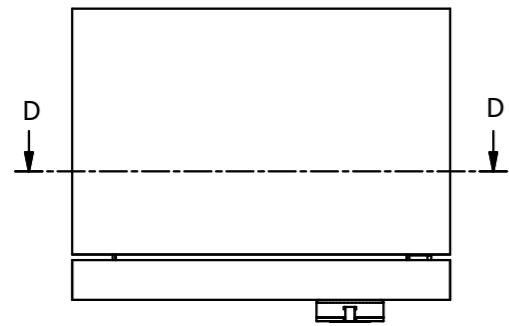
19/09/2020

1 OF 2

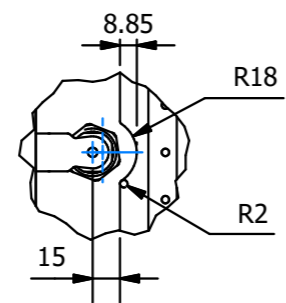
BILL OF MATERIALS					
ITEM	QTY	DESCRIPTION	MATERIAL	THICKNESS	
1	1	BODY	GAL - Powder Coated X15 Orange	1.5 mm	
2	1	DOOR	GAL - Powder Coated X15 Orange	1.5 mm	
3	1	GEAR TRAY	GAL - Powder Coated White	2 mm	
4	3	Z-BRACKET	GAL - Powder Coated White	1.5 mm	
5	4	WALL MOUNT BRACKETS	GAL - Powder Coated X15 Orange	1.5 mm	
6		GLAND PLATE	GAL - Powder Coated X15 Orange	1.5 mm	



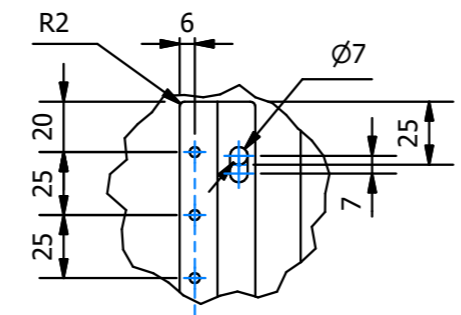
FRONT VIEW SIDE VIEW



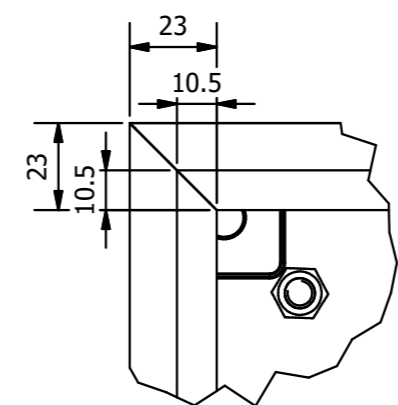
TOP VIEW



DETAIL G

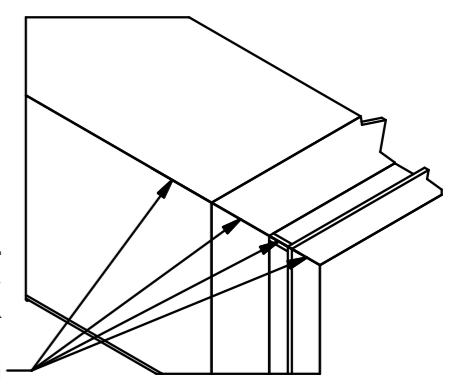


DETAIL H

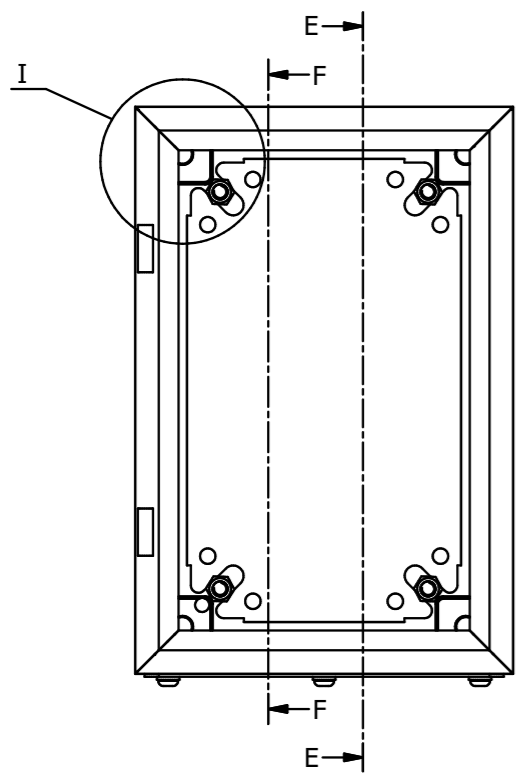


DETAIL I

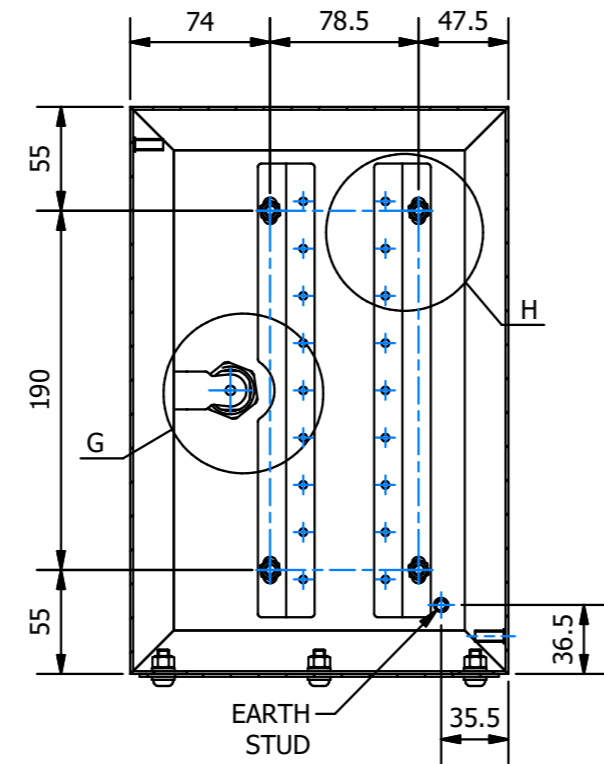
ALL SEAMS TO BE SEAL WELDED FULLY, PRIOR TO POWDER COATING, TO ENSURE IP66 RATING



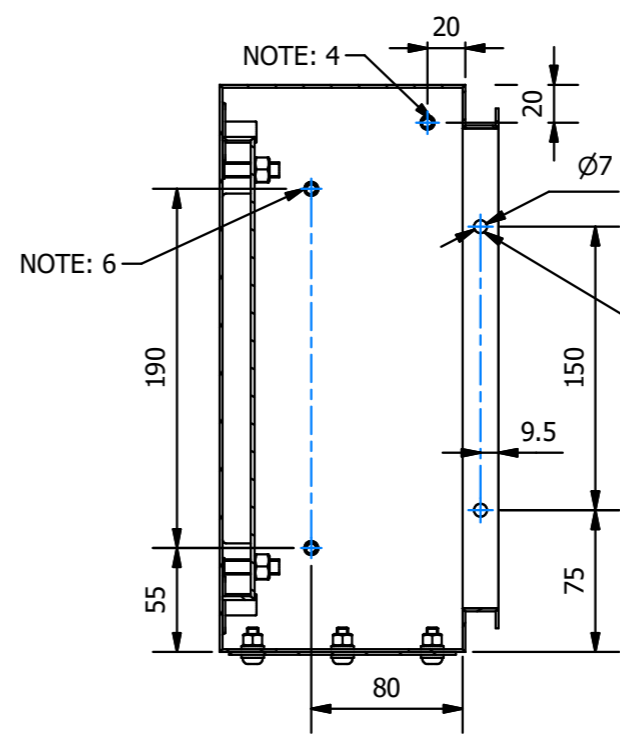
ISOMETRIC VIEW (DETAIL I)



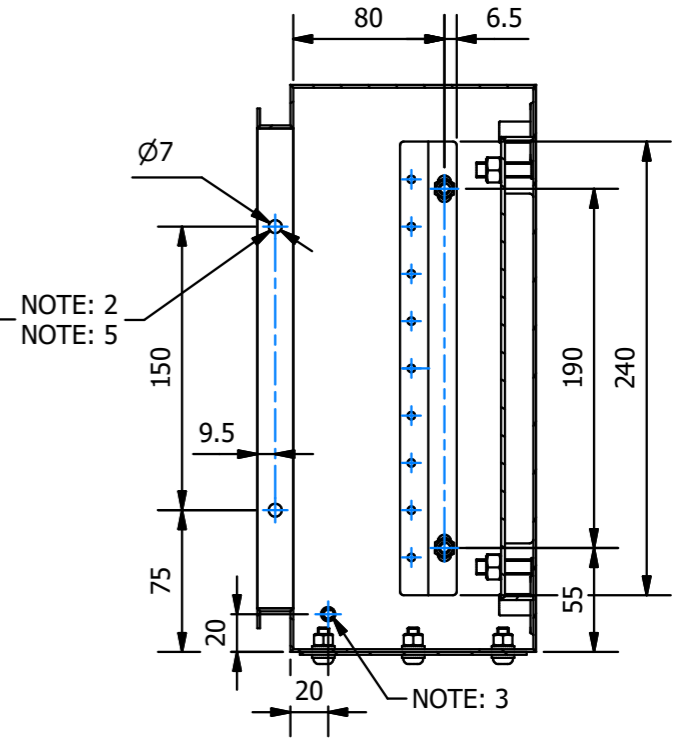
FRONT VIEW WITHOUT DOOR



SECTION D-D



SECTION E-E



SECTION F-F

- Notes:**
1. Door cam to always face up when lock is in the 'Open/Unlocked' position.
  2. Holes for door hinges to be on both sides to allow for left and right hinged door orientation.
  3. Earth stud for when door is in the 'normal' left hand hinged orientation.
  4. Earth stud for when door is in the right hand hinged orientation.
  5. Open hinge holes to be fitted with same bolts as used on hinges, with added plastic washer on inside.
  6. Studs for Z-Bracket when door is in the right hand hinged orientation.

**A.E. Stainless Direct**  
 P: 1300 533 292  
 A: 4/36 Devlan St, Mansfield QLD 4122  
 E: info@aestainlessdirect.com.au  
 W: aestainlessdirect.com.au

ALL DIMENSIONS ARE IN MILLIMETRES. UNLESS OTHERWISE SPECIFIED

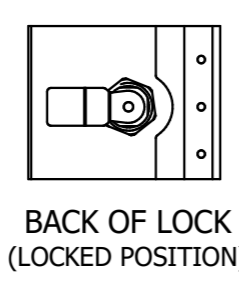
**DO NOT SCALE**

THIS DRAWING INFORMATION AND ALL TECHNICAL DATA ENCLOSED HEREIN IS THE PROPERTY OF A.E. STAINLESS DIRECT AND IS NOT TO BE USED FOR REPRODUCTION, MANUFACTURE OR DISCLOSURE TO ANY PARTY WITHOUT THE WRITTEN CONSENT OF A.E. STAINLESS DIRECT

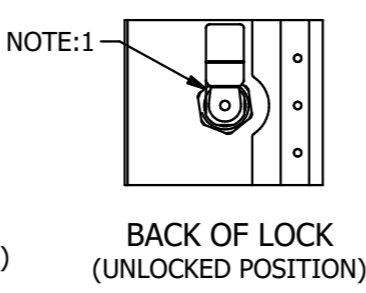
DRAWING NUMBER:  
**MS-X15**  
**300x200x150**

19/09/2020

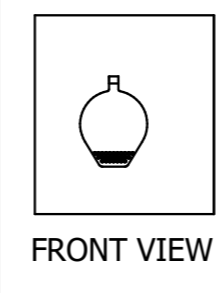
2 OF 2



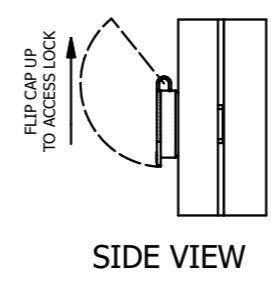
BACK OF LOCK (LOCKED POSITION)



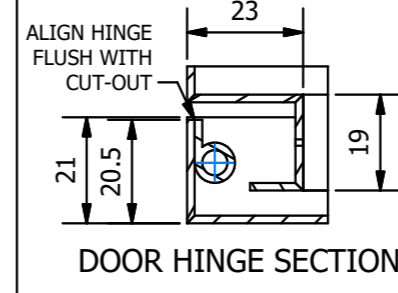
BACK OF LOCK (UNLOCKED POSITION)



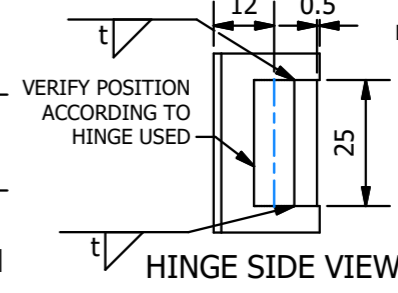
FRONT VIEW



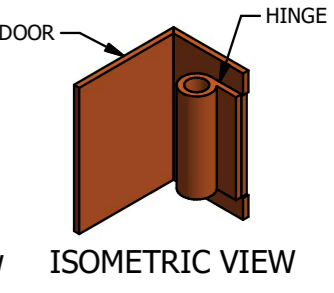
SIDE VIEW



DOOR HINGE SECTION



HINGE SIDE VIEW



ISOMETRIC VIEW