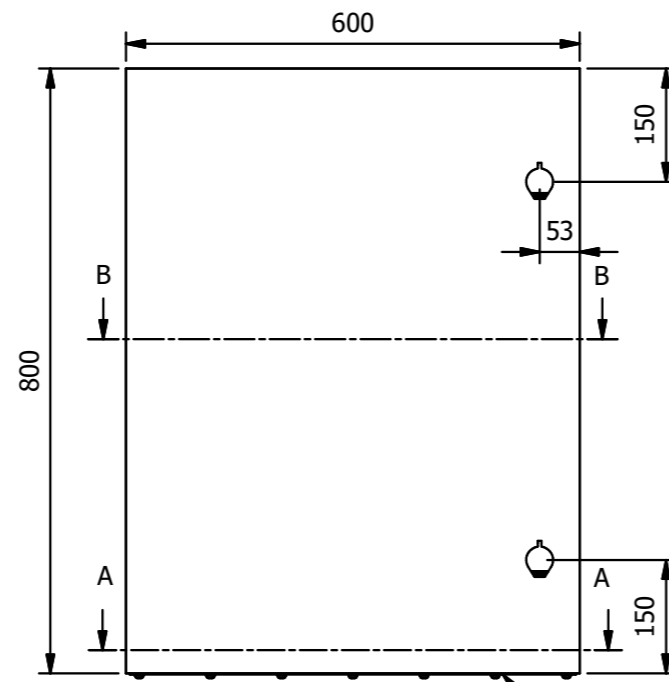
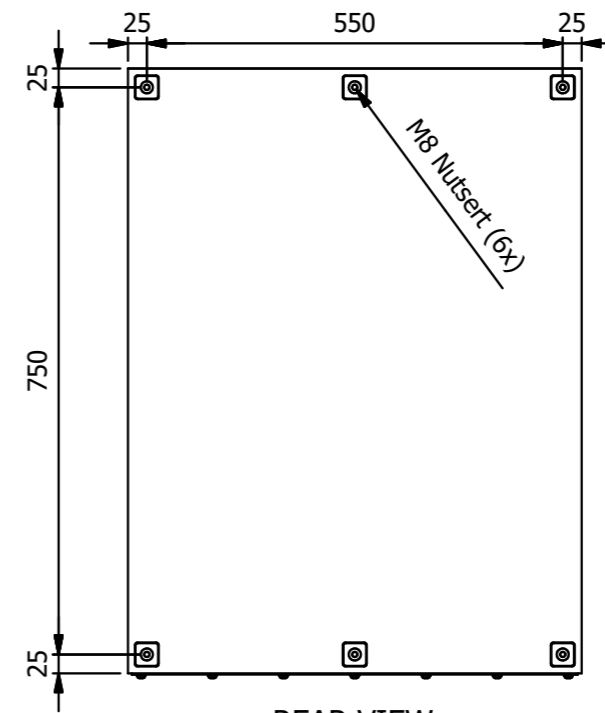


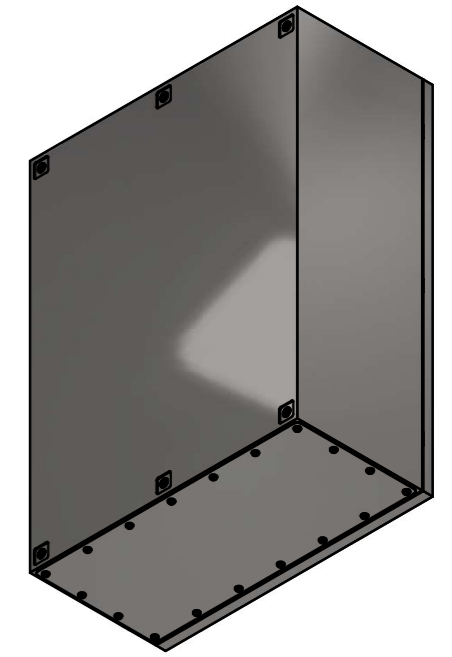
FRONT VIEW
WITHOUT DOOR



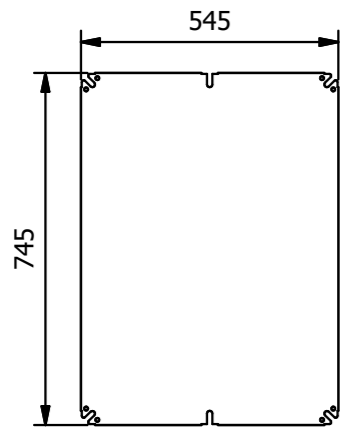
FRONT VIEW
GLAND PLATE



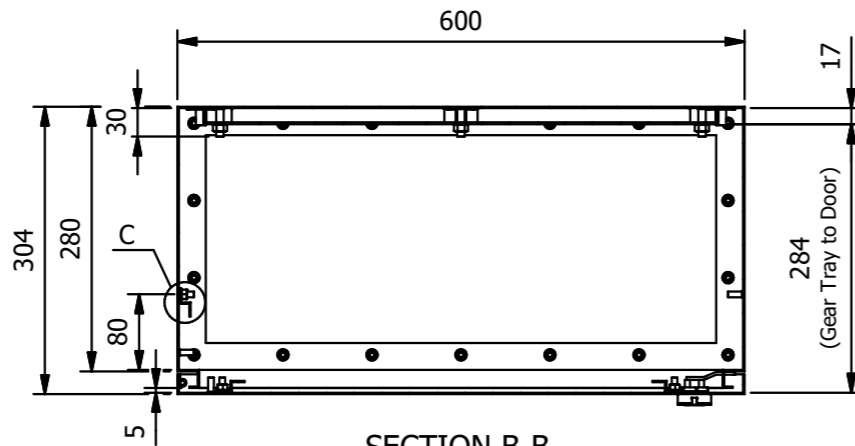
REAR VIEW



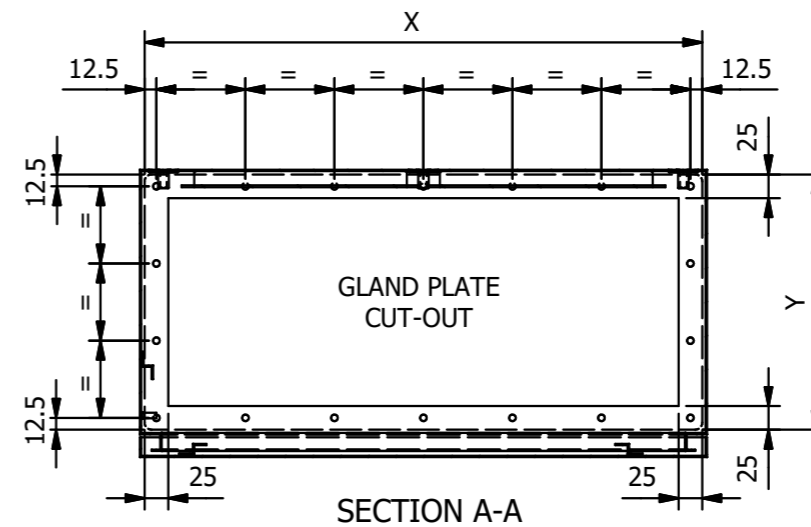
ISOMETRIC BOTTOM VIEW



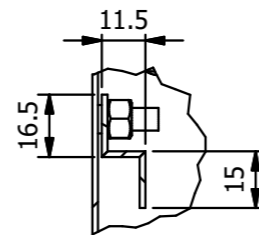
GEAR TRAY



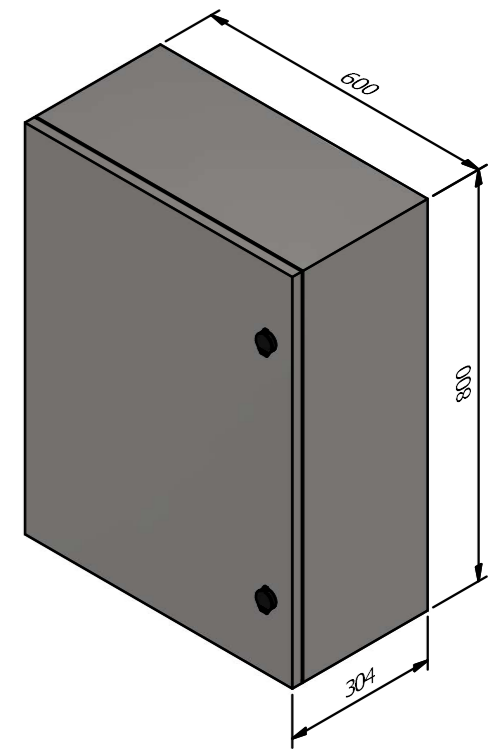
SECTION B-B



SECTION A-A



DETAIL C



ISOMETRIC VIEW

GLAND PLATE OPTIONS			
OPTION	X	Y	FROM SERIAL NO.
A	565	235	
B	550	250	AES1910
C	590	270	AES2010

Material:
 - Enclosure & Lid - 1.5mm MS
 - RAL7032 Powdercoated Prior to Serial no. AES2011
 - RAL7035 Powdercoated after serial AES2011
 - Mounting Pan - 2mm Gal (Powdercoated White)
Note:
 - No Wall Mounting Nutserts Prior to serial no. AES2010
 - M8 Wall Mounting Nutserts after serial no. AES2010

P: 1300 533 292
 A: 4/36 Devlan St, Mansfield QLD 4122
 E: info@aestainlessdirect.com.au
 W: aestainlessdirect.com.au

ALL DIMENSIONS ARE IN MILLIMETRES.
 UNLESS OTHERWISE SPECIFIED

DO NOT SCALE

THIS DRAWING INFORMATION AND ALL TECHNICAL DATA ENCLOSED HEREIN IS THE PROPERTY OF A.E. STAINLESS DIRECT AND IS NOT TO BE USED FOR REPRODUCTION, MANUFACTURE PROCUREMENT DISCLOSURE TO ANY PARTY WITHOUT THE WRITTEN CONSENT OF A.E. STAINLESS DIRECT

DRAWING NUMBER:
MS-RAL7035
800x600x300

19/10/2020

1 OF 2

BILL OF MATERIALS					
ITEM	QTY	DESCRIPTION	MATERIAL	THICKNESS	
1	1	BODY	GAL - Powder Coated RAL7035	1.5 mm	
2	1	DOOR	GAL - Powder Coated RAL7035	1.5 mm	
3	1	GEAR TRAY	GAL - Powder Coated White	2 mm	
4	3	Z-BRACKET	GAL - Powder Coated White	1.5 mm	
5	6	WALL MOUNT BRACKETS	GAL - Powder Coated RAL7035	1.5 mm	
6		GLAND PLATE	GAL - Powder Coated RAL7035	1.5 mm	

Typical Poured Seal Detail
 Poured in Place Polyurethane

20x8mm FIP
 3mm Decompression Typical

