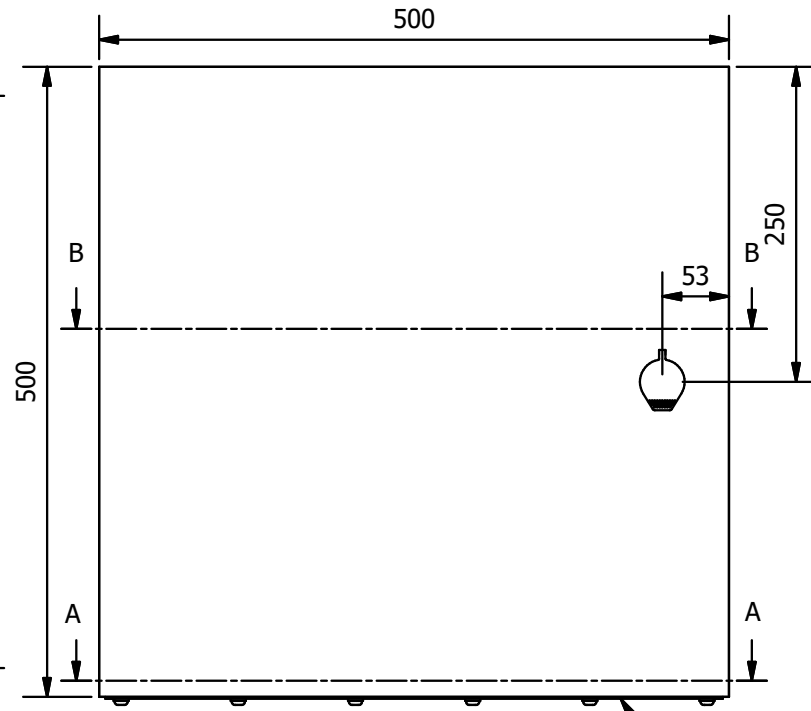
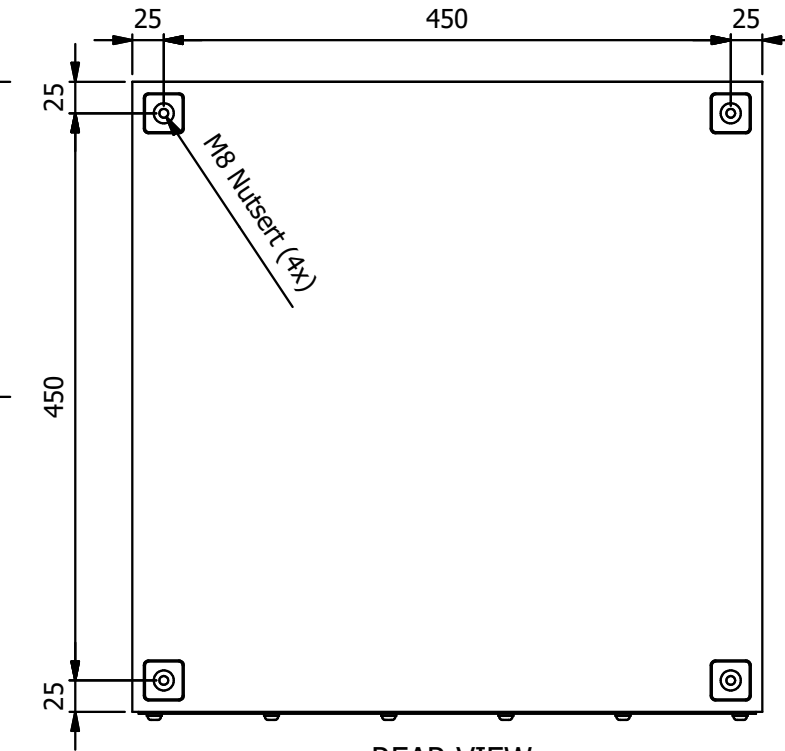


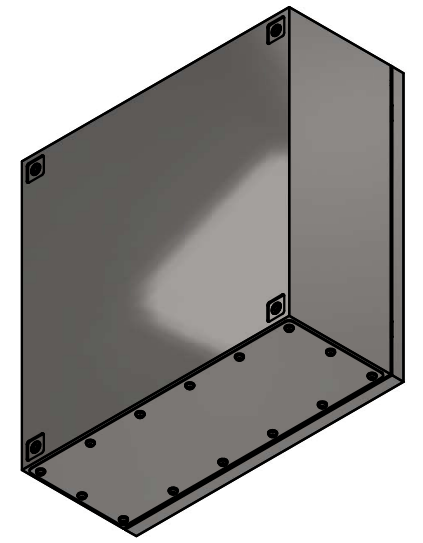
FRONT VIEW
WITHOUT DOOR



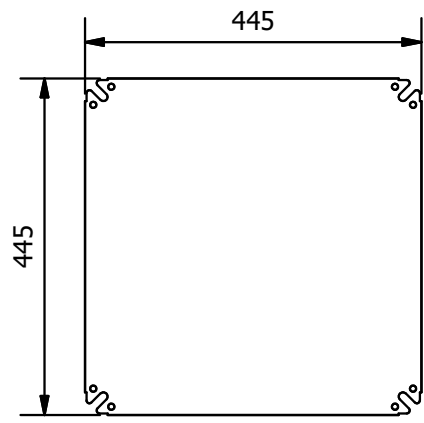
FRONT VIEW



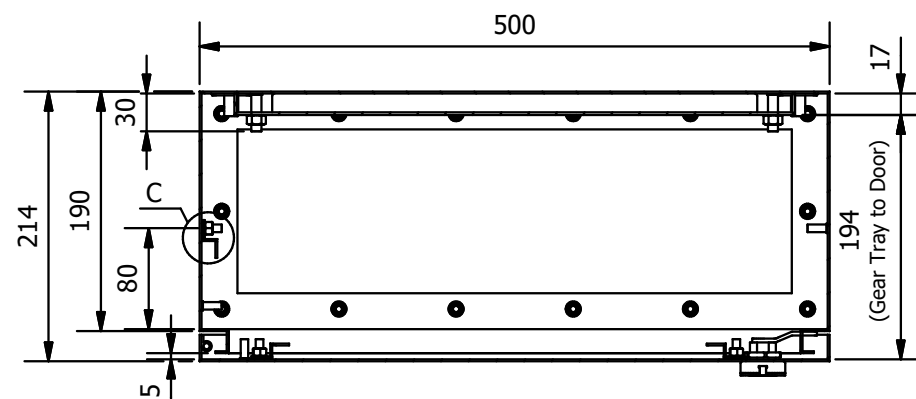
REAR VIEW



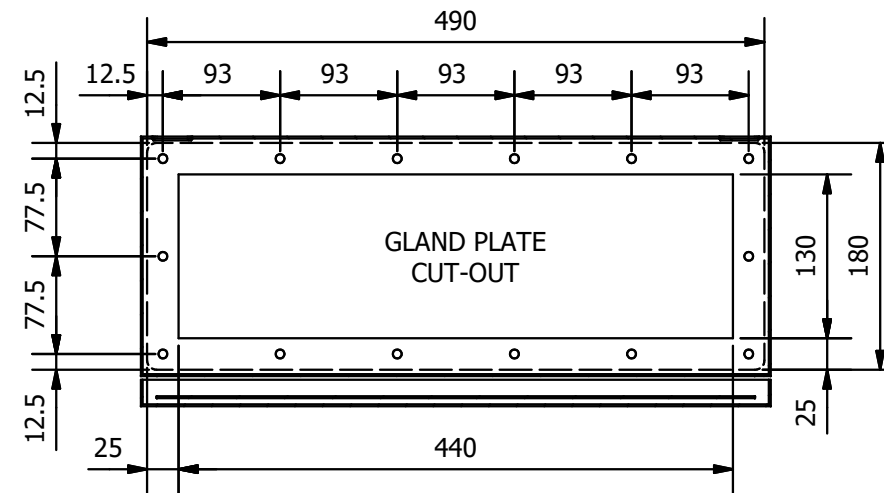
ISOMETRIC BOTTOM VIEW



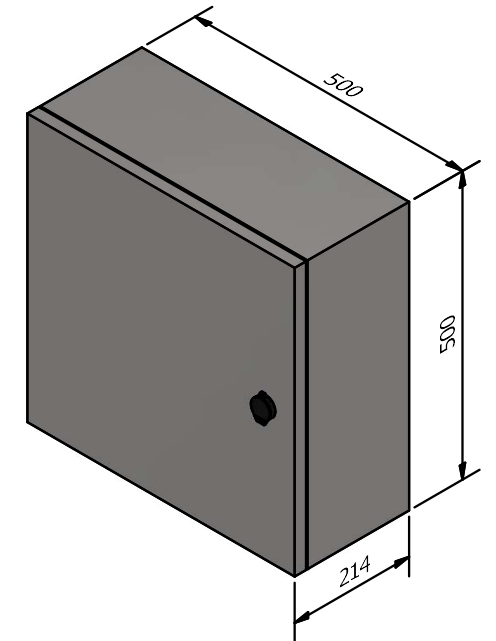
GEAR TRAY



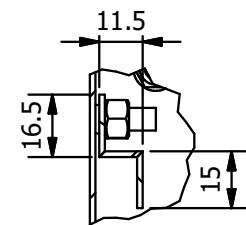
SECTION B-B



SECTION A-A



ISOMETRIC VIEW



DETAIL C

Material:
 - Enclosure & Lid - 1.5mm MS
 - RAL7032 Powdercoated Prior to Serial no. AES2011
 - RAL7035 Powdercoated after serial AES2011
 - Mounting Pan - 2mm Gal (Powdercoated White)

Note:
 - No Wall Mounting Nutserts Prior to serial no. AES2010
 - M8 Wall Mounting Nutserts after serial no. AES2010

P: 1300 533 292
 A: 4/36 Devlan St, Mansfield QLD 4122
 E: info@aestainlessdirect.com.au
 W: aestainlessdirect.com.au

ALL DIMENSIONS ARE IN MILLIMETRES.
 UNLESS OTHERWISE SPECIFIED

DO NOT SCALE

THIS DRAWING INFORMATION AND ALL TECHNICAL DATA
 ENCLOSED HEREIN IS THE PROPERTY OF A.E. STAINLESS DIRECT AND IS NOT TO BE
 USED FOR REPRODUCTION, MANUFACTURE PROCUREMENT
 DISCLOSURE TO ANY PARTY WITHOUT THE WRITTEN CONSENT
 OF A.E. STAINLESS DIRECT

DRAWING NUMBER:

MS-RAL7035
 500x500x210

19/10/2020

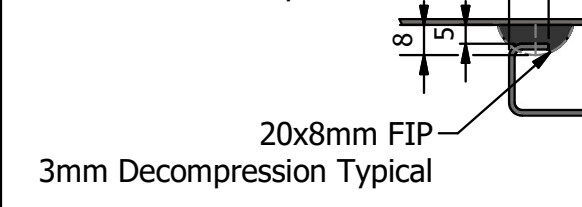
1 OF 2

BILL OF MATERIALS

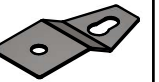
ITEM	QTY	DESCRIPTION	MATERIAL	THICKNESS
1	1	BODY	GAL - Powder Coated RAL7035	1.5 mm
2	1	DOOR	GAL - Powder Coated RAL7035	1.5 mm
3	1	GEAR TRAY	GAL - Powder Coated White	2 mm
4	3	Z-BRACKET	GAL - Powder Coated White	1.5 mm
5	4	WALL MOUNT BRACKETS	GAL - Powder Coated RAL7035	1.5 mm
6		GLAND PLATE	GAL - Powder Coated RAL7035	1.5 mm

Typical Poured Seal Detail

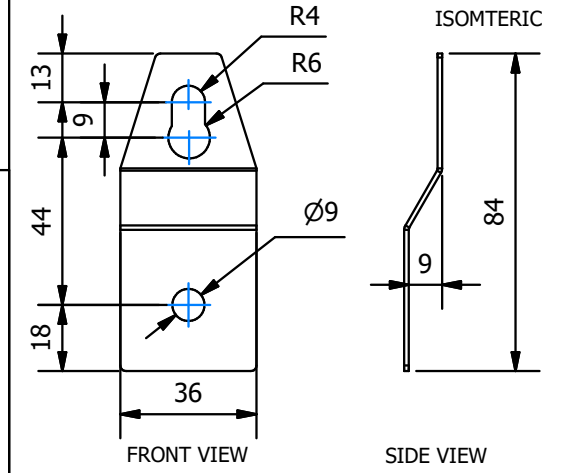
Poured in Place Polyurethane



Wall Mount Bracket

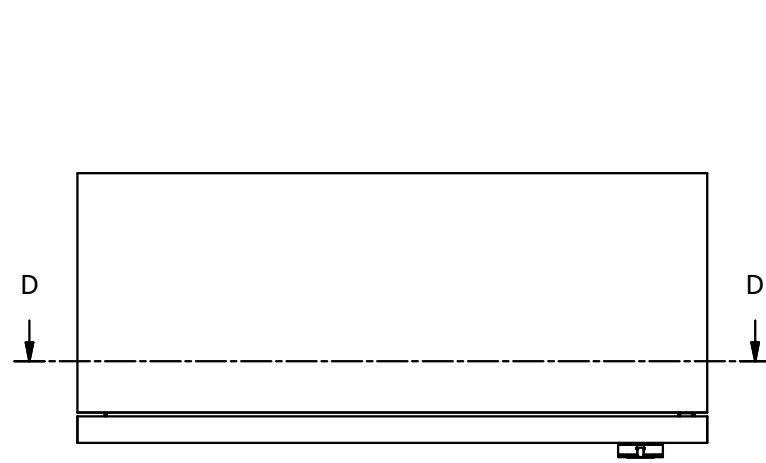


ISOMETRIC

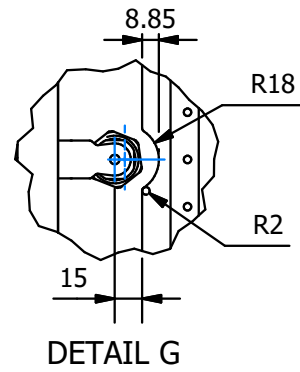


FRONT VIEW

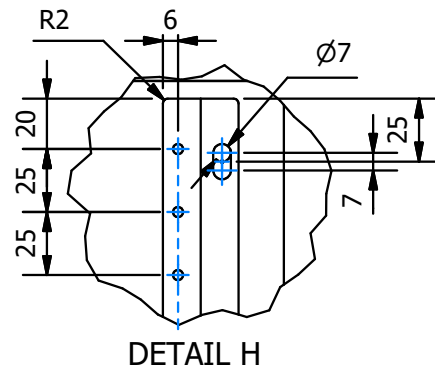
SIDE VIEW



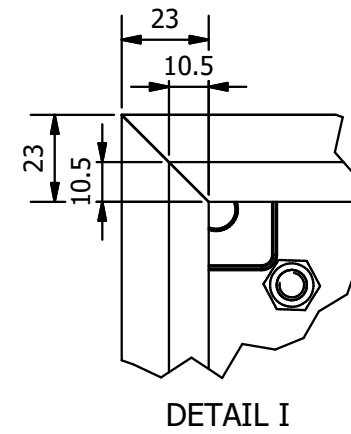
TOP VIEW



DETAIL G

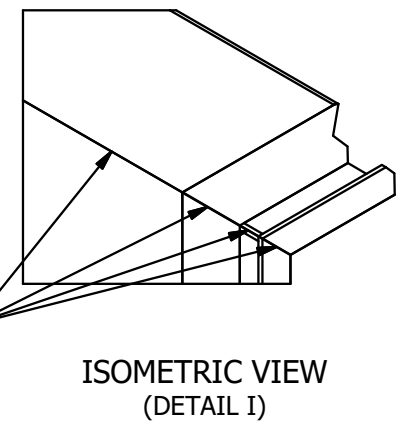


DETAIL H

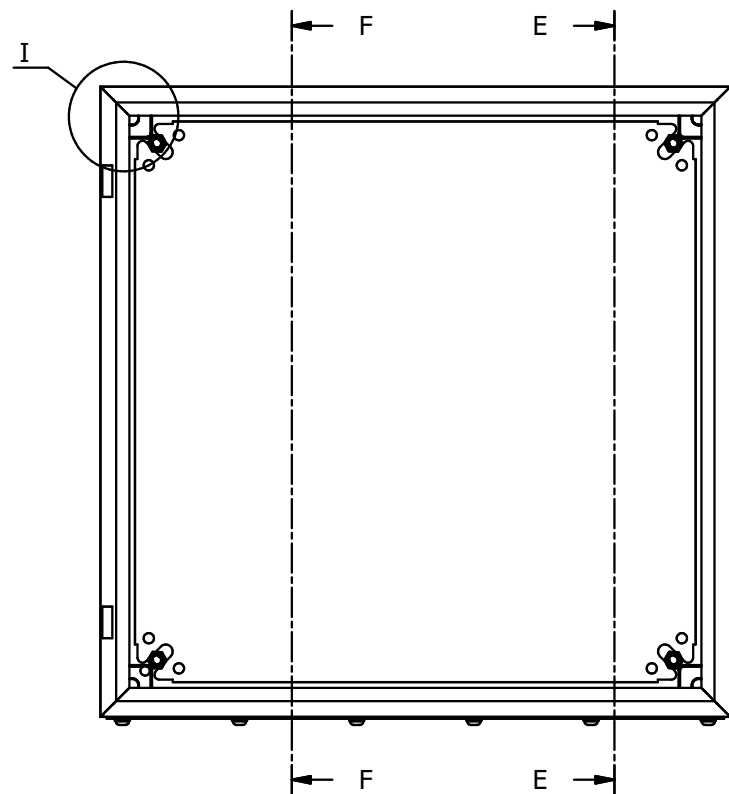


DETAIL I

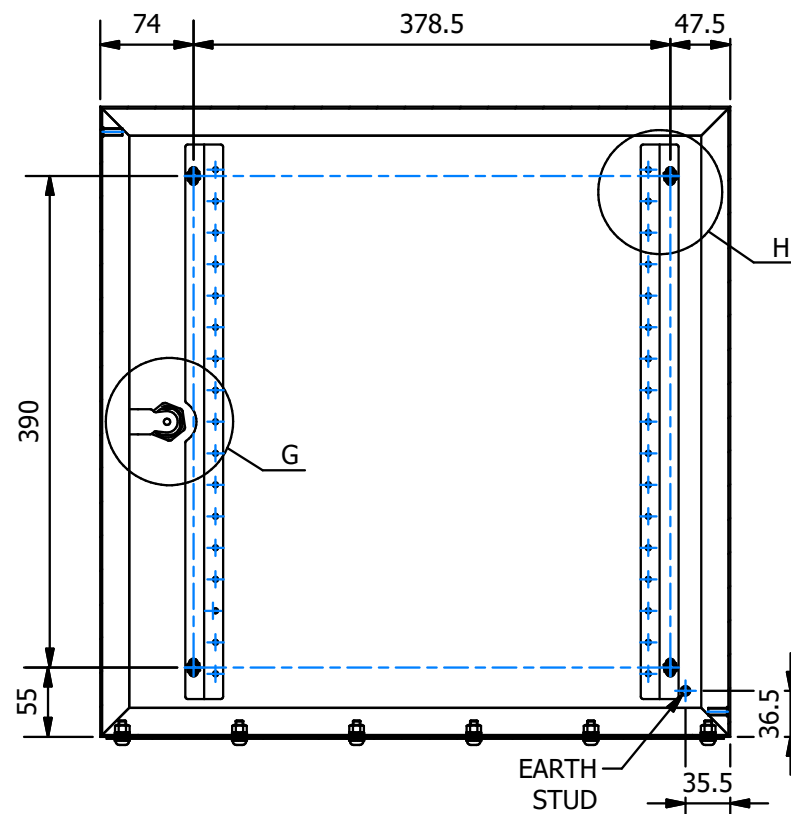
ALL SEAMS TO BE SEAL WELDED FULLY, PRIOR TO POWDER COATING, TO ENSURE IP66 RATING



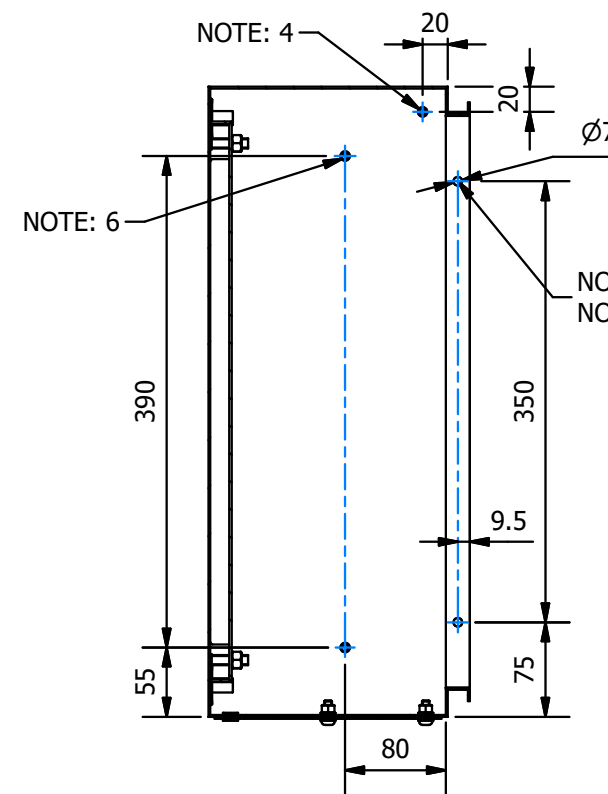
ISOMETRIC VIEW (DETAIL I)



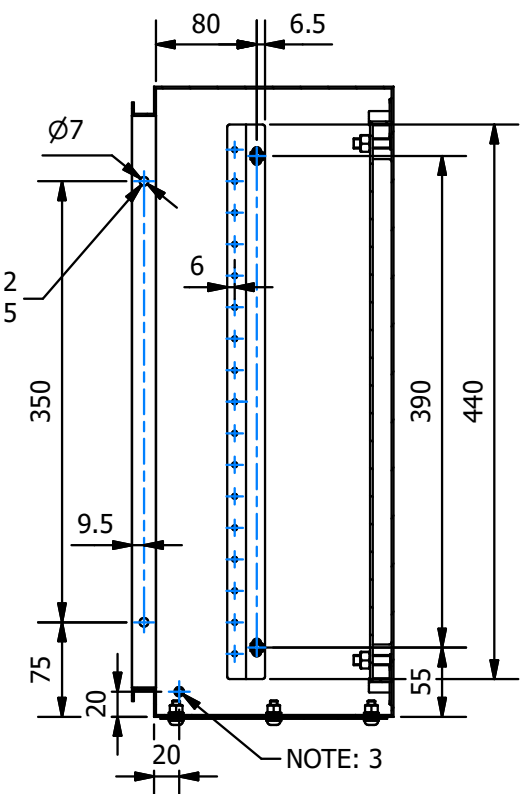
FRONT VIEW WITHOUT DOOR



SECTION D-D



SECTION E-E



SECTION F-F

Notes:

1. Door cam to always face up when lock is in the 'Open/Unlocked' position.
2. Holes for door hinges to be on both sides to allow for left and right hinged door orientation.
3. Earth stud for when door is in the 'normal' left hand hinged orientation.
4. Earth stud for when door is in the right hand hinged orientation.
5. Open hinge holes to be fitted with same bolts as used on hinges, with added plastic washer on inside.
6. Studs for Z-Bracket when door is in the right hand hinged orientation.

P: 1300 533 292
 A: 4/36 Devlan St, Mansfield QLD 4122
 E: info@aestainlessdirect.com.au
 W: aestainlessdirect.com.au

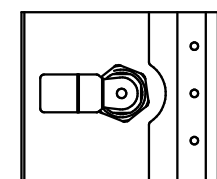
DRAWING NUMBER:
MS-RAL7035
500x500x210

ALL DIMENSIONS ARE IN MILLIMETRES.
 UNLESS OTHERWISE SPECIFIED
DO NOT SCALE

19/10/2020

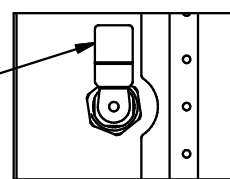
THIS DRAWING INFORMATION AND ALL TECHNICAL DATA ENCLOSED HEREIN IS THE PROPERTY OF A.E. STAINLESS DIRECT AND IS NOT TO BE USED FOR REPRODUCTION, MANUFACTURE PROCUREMENT DISCLOSURE TO ANY PARTY WITHOUT THE WRITTEN CONSENT OF A.E. STAINLESS DIRECT

2 OF 2

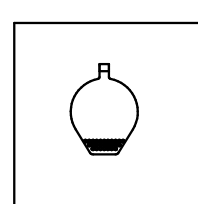


BACK OF LOCK (LOCKED POSITION)

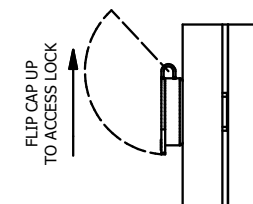
NOTE:1



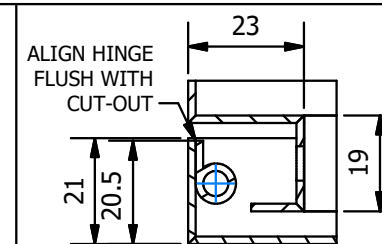
BACK OF LOCK (UNLOCKED POSITION)



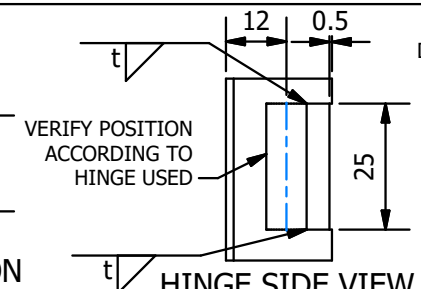
FRONT VIEW



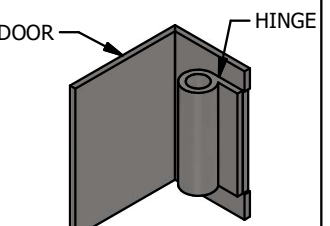
SIDE VIEW



DOOR HINGE SECTION



HINGE SIDE VIEW



ISOMETRIC VIEW