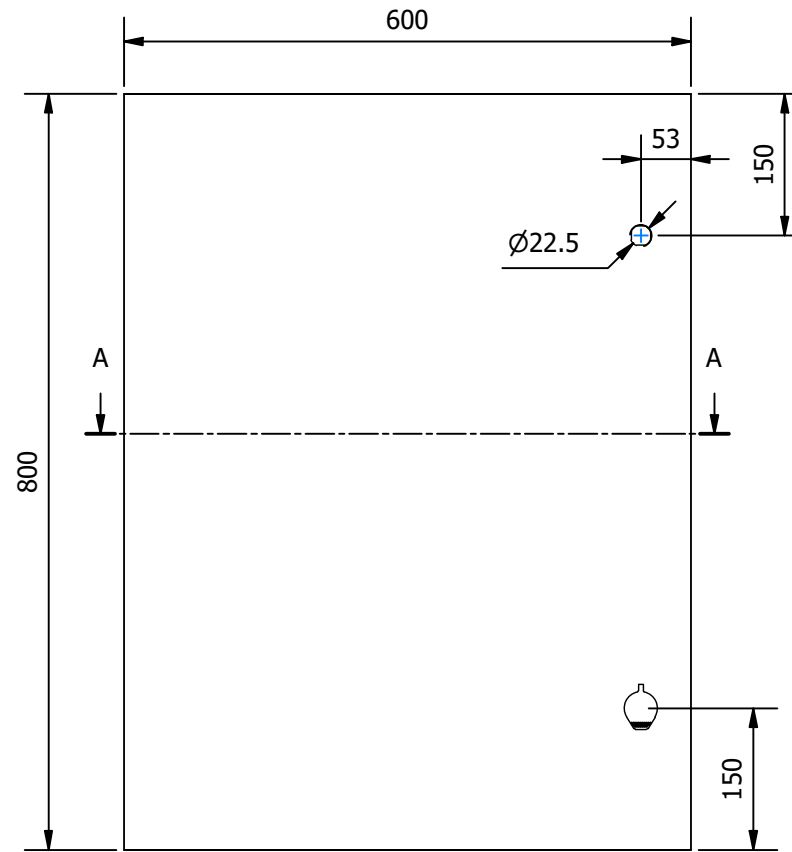
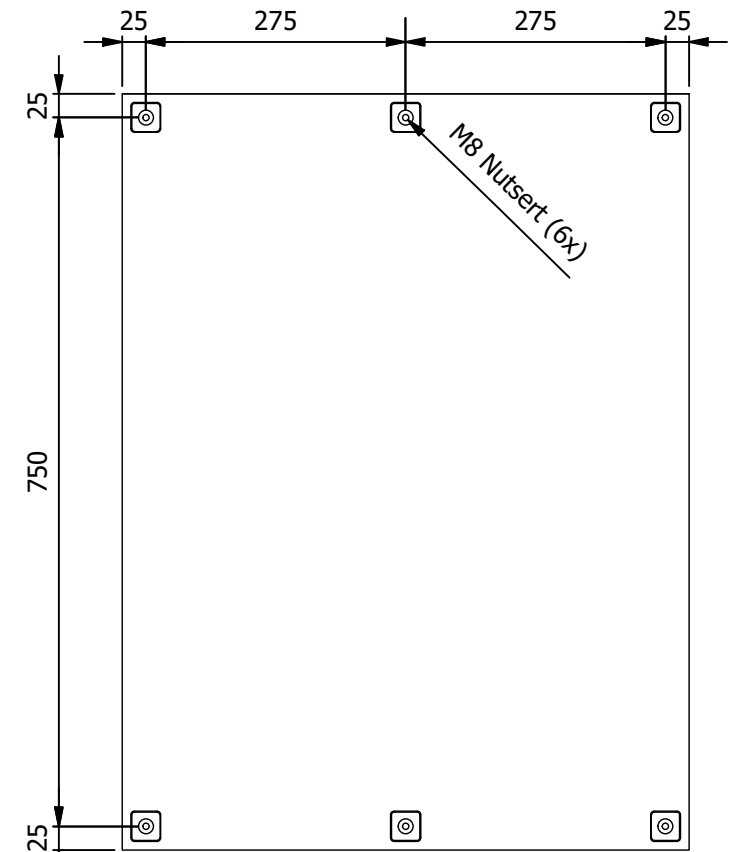


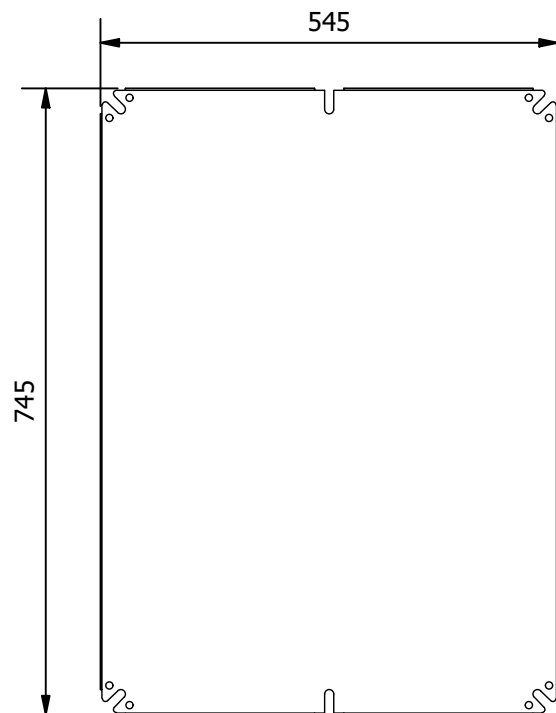
FRONT VIEW
WITHOUT DOOR



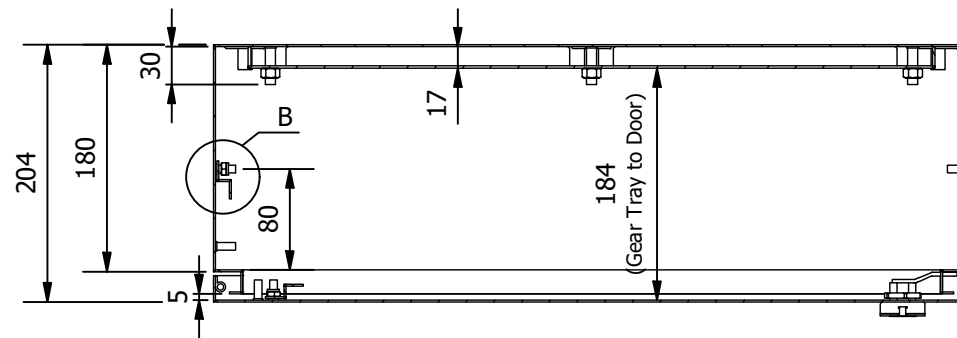
FRONT VIEW



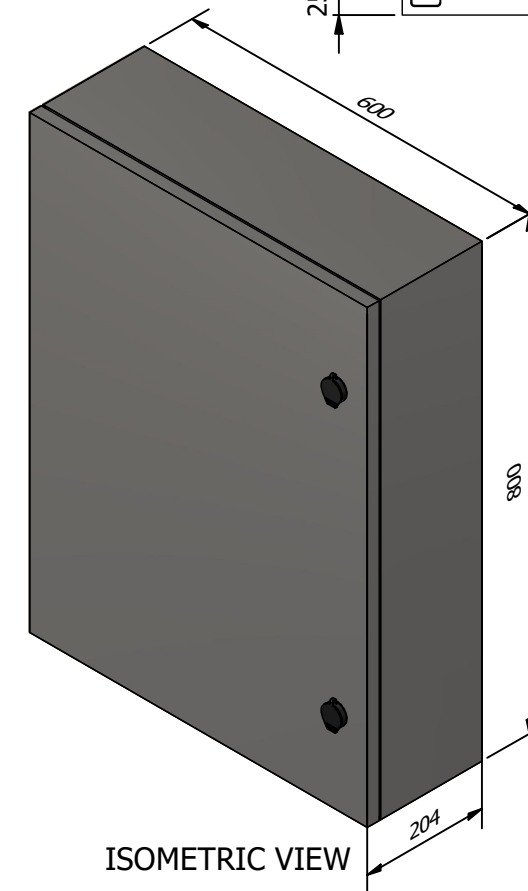
REAR VIEW



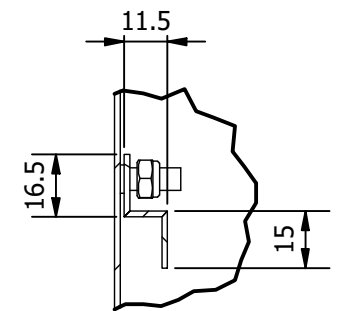
GEAR TRAY



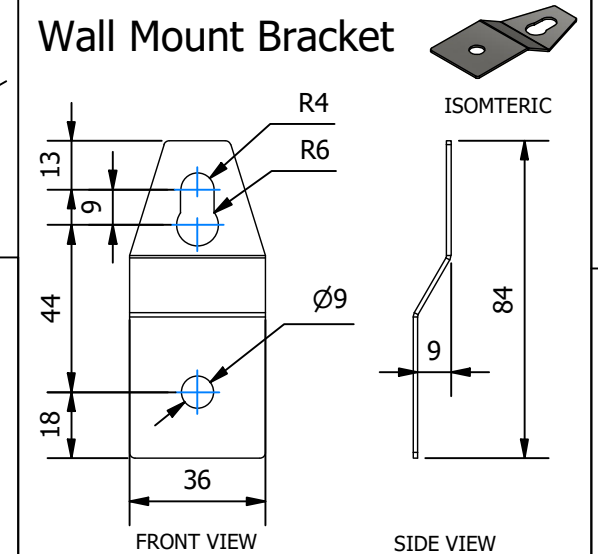
SECTION A-A



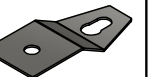
ISOMETRIC VIEW



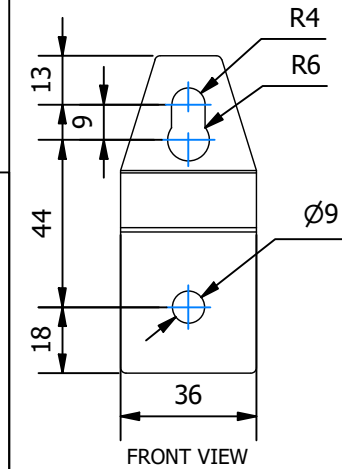
DETAIL B



Wall Mount Bracket



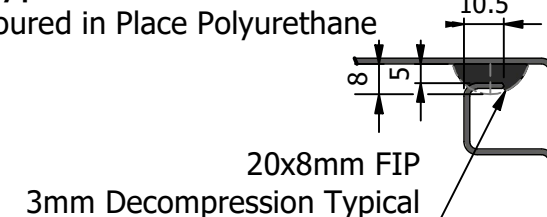
ISOMETRIC



FRONT VIEW

SIDE VIEW

Typical Poured Seal Detail
Poured in Place Polyurethane



20x8mm FIP
3mm Decompression Typical

A.E. Stainless Direct
P: 1300 533 292
A: 4/36 Devlan St, Mansfield QLD 4122
E: info@aestainlessdirect.com.au
W: aestainlessdirect.com.au

ALL DIMENSIONS ARE IN MILLIMETRES.
UNLESS OTHERWISE SPECIFIED

DO NOT SCALE

THIS DRAWING INFORMATION AND ALL TECHNICAL DATA
ENCLOSED HEREIN
IS THE PROPERTY OF A.E. STAINLESS DIRECT AND IS NOT TO BE
USED FOR REPRODUCTION, MANUFACTURE PROCUREMENT
DISCLOSURE TO
ANY PARTY WITHOUT THE WRITTEN CONSENT
OF A.E. STAINLESS DIRECT

DRAWING NUMBER:

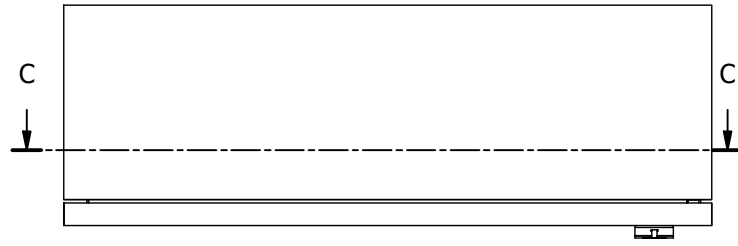
SS800x600x200

28/01/2021

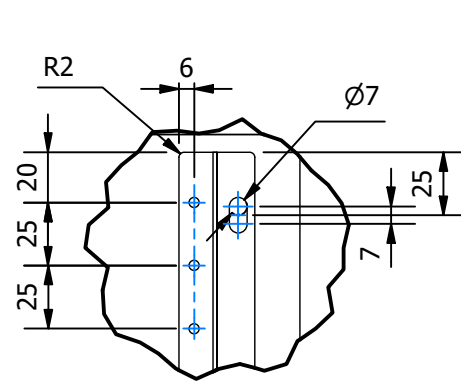
1 OF 2

BILL OF MATERIALS

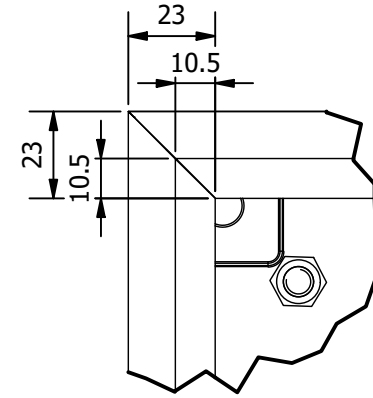
ITEM	QTY	DESCRIPTION	MATERIAL	THICKNESS
1	1	BODY	SS316N4	1.5 mm
2	1	DOOR	SS316N4	1.5 mm
3	1	GEAR TRAY	GAL - Powder Coated White	2 mm
4	2	Z-BRACKET	GAL - Powder Coated White	1.5 mm
5	6	WALL MOUNT BRACKETS	SS316N4	1.5 mm
6		GLAND PLATE (OPTIONAL)	BR, AL or SS	



TOP VIEW

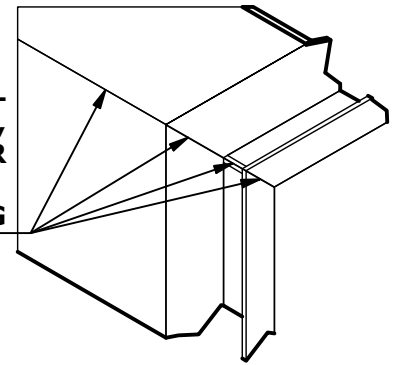


DETAIL F

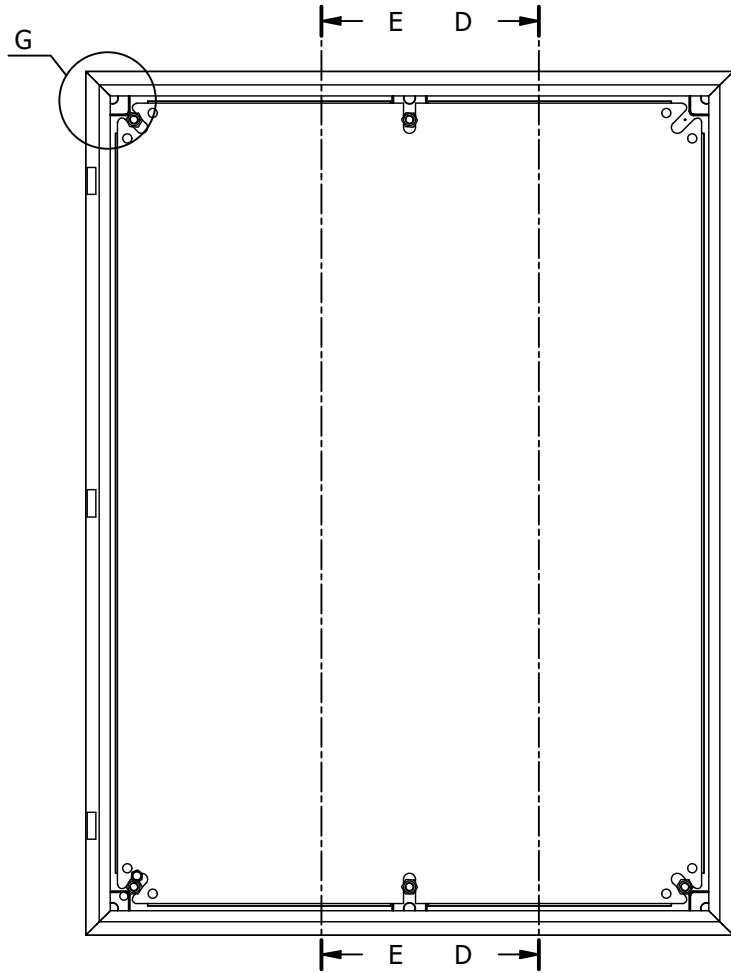


DETAIL G

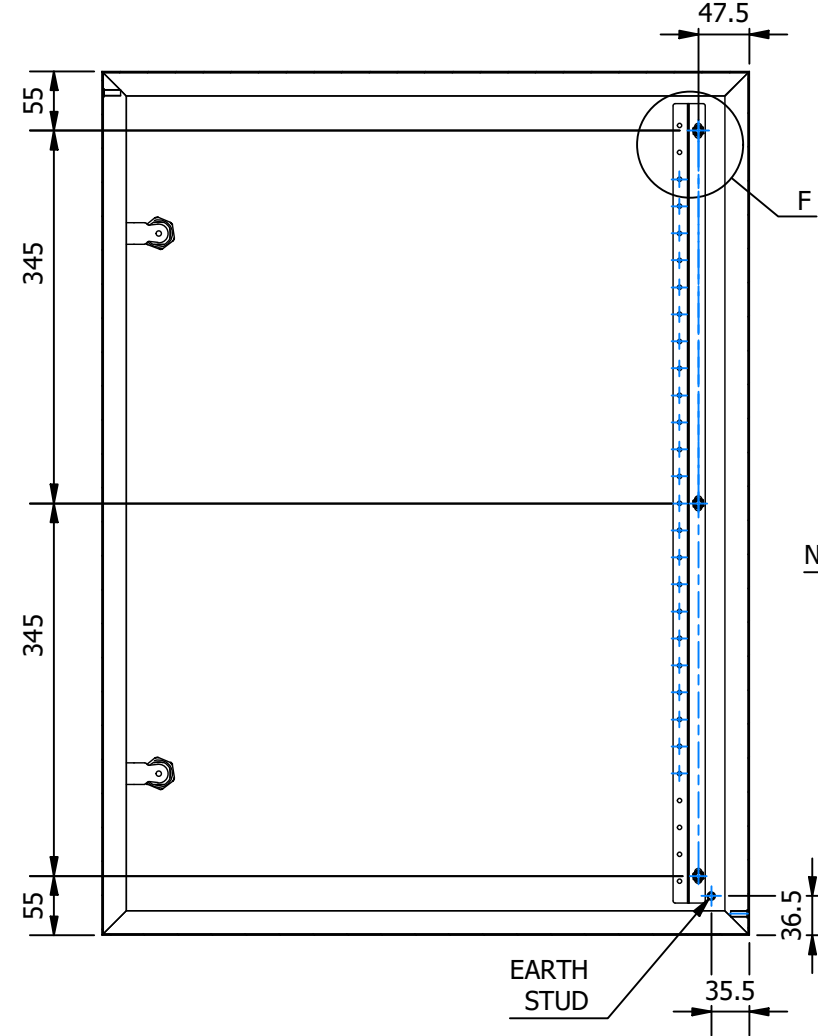
ALL SEAMS TO BE SEAL WELDED FULLY, PRIOR TO POWDER COATING, TO ENSURE IP66 RATING



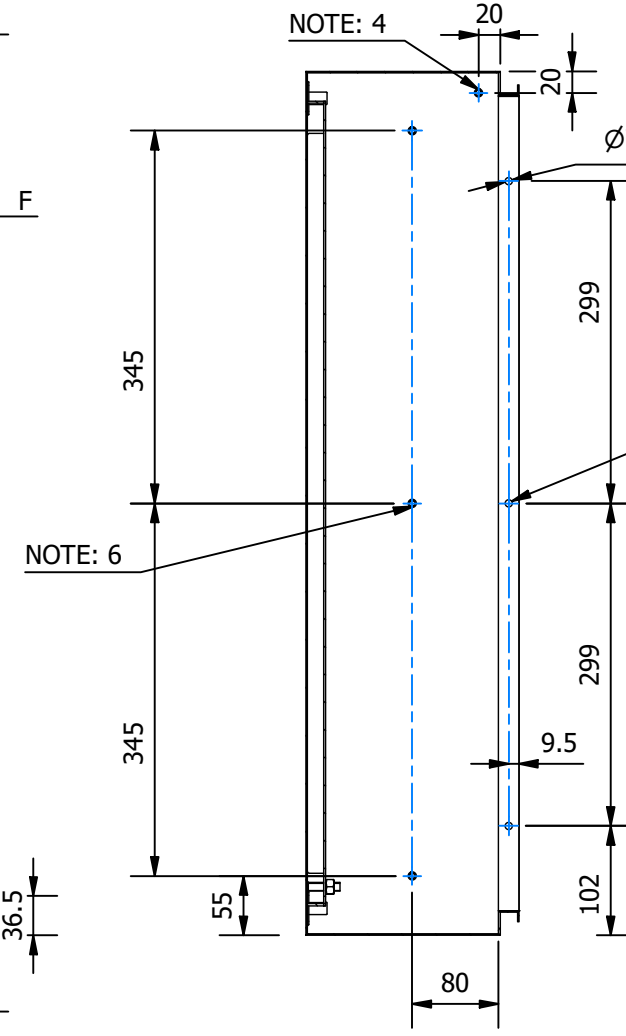
ISOMETRIC VIEW (DETAIL I)



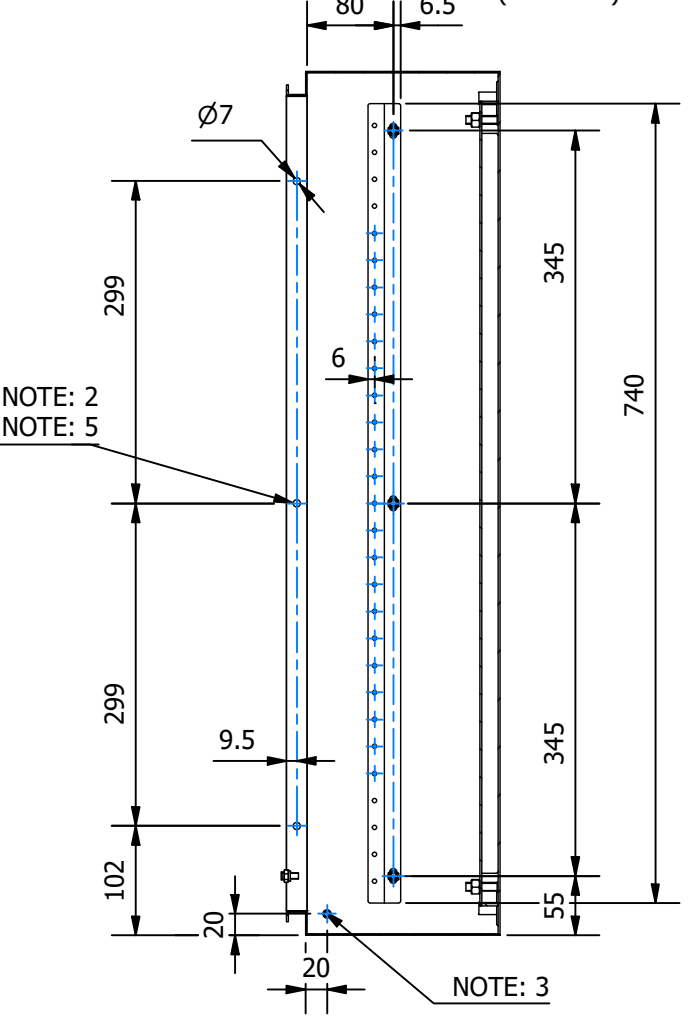
FRONT VIEW WITHOUT DOOR



SECTION C-C



SECTION D-D



SECTION E-E

- Notes:**
1. Door cam to always face up when lock is in the 'Open/Ulocked' position.
 2. Holes for door hinges to be on both sides to allow for left and right hinged door orientation.
 3. Earth stud for when door is in the 'normal' left hand hinged orientation.
 4. Earth stud for when door is in the right hand hinged orientation.
 5. Open hinge holes to be fitted with same bolts as used on hinges, with added plastic washer on inside.
 6. Studs for Z-Bracket when door is in the right hand hinged orientation.

P: 1300 533 292
A: 4/36 Devlan St, Mansfield QLD 4122
E: info@aestainlessdirect.com.au
W: aestainlessdirect.com.au

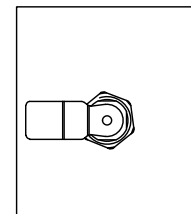
DRAWING NUMBER:
SS800x600x250

ALL DIMENSIONS ARE IN MILLIMETRES.
UNLESS OTHERWISE SPECIFIED
DO NOT SCALE

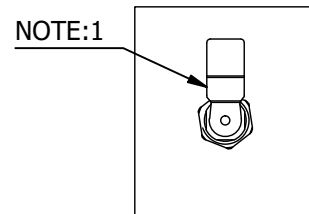
28/01/2021

THIS DRAWING INFORMATION AND ALL TECHNICAL DATA
ENCLOSED HEREIN
IS THE PROPERTY OF A.E. STAINLESS DIRECT AND IS NOT TO BE
USED FOR REPRODUCTION, MANUFACTURE PROCUREMENT
DISCLOSURE TO
ANY PARTY WITHOUT THE WRITTEN CONSENT
OF A.E. STAINLESS DIRECT

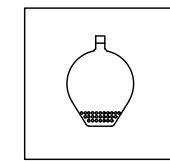
2 OF 2



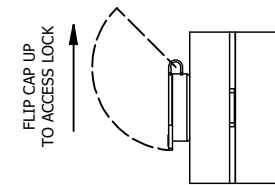
BACK OF LOCK (LOCKED POSITION)



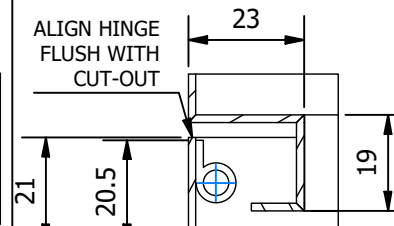
BACK OF LOCK (UNLOCKED POSITION)



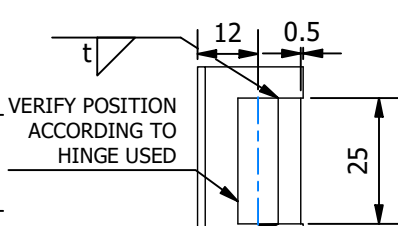
FRONT VIEW



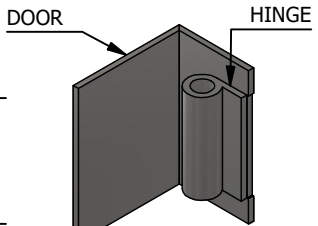
SIDE VIEW



DOOR HINGE SECTION



HINGE SIDE VIEW



ISOMETRIC VIEW