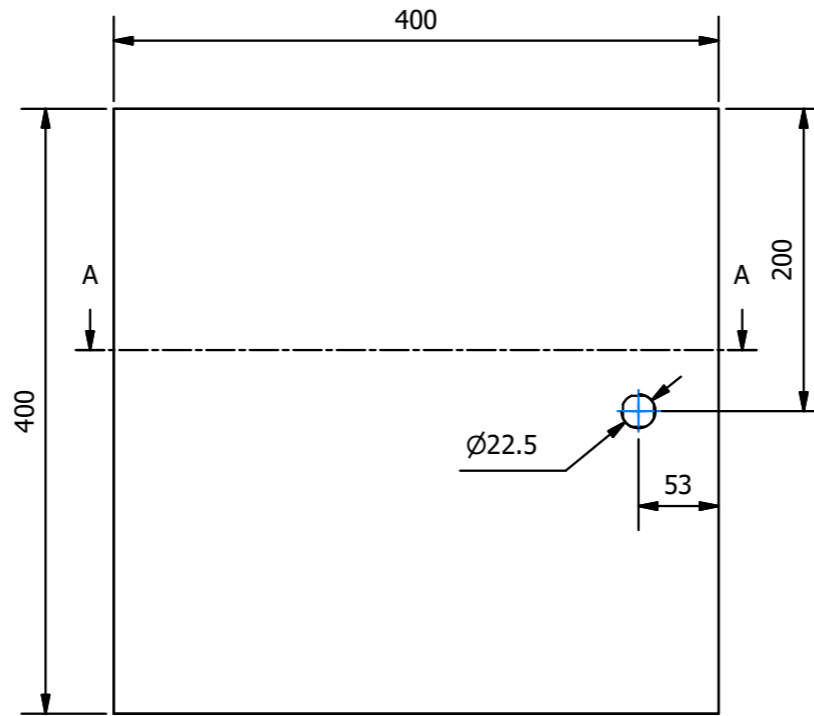
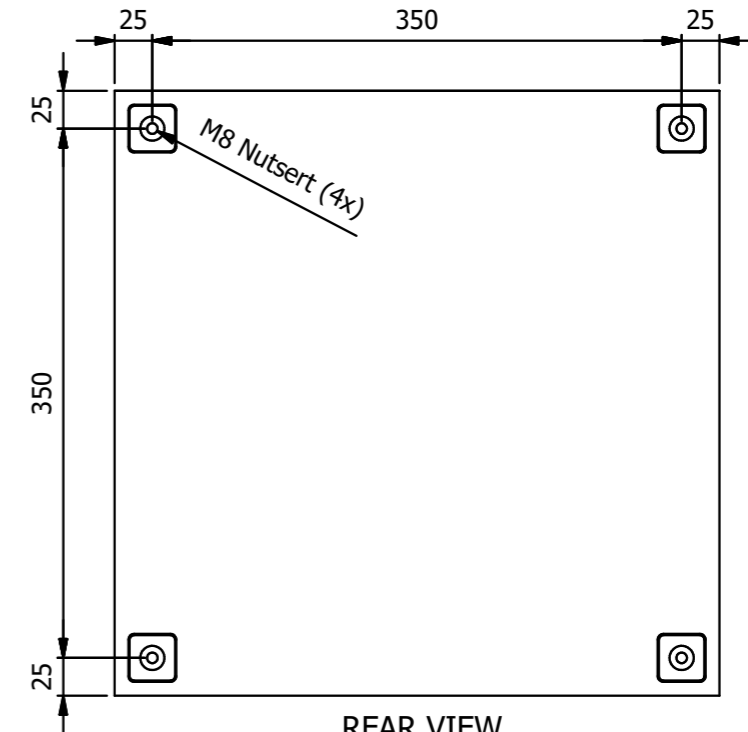


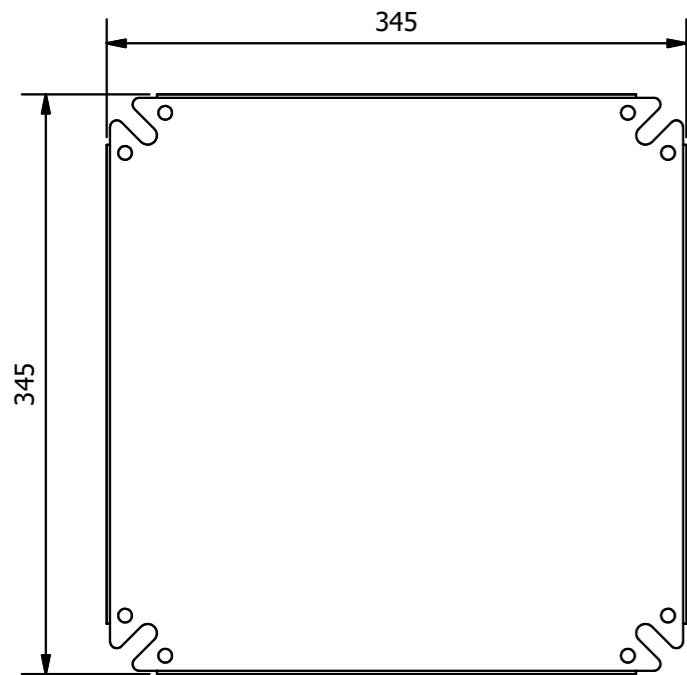
FRONT VIEW  
WITHOUT DOOR



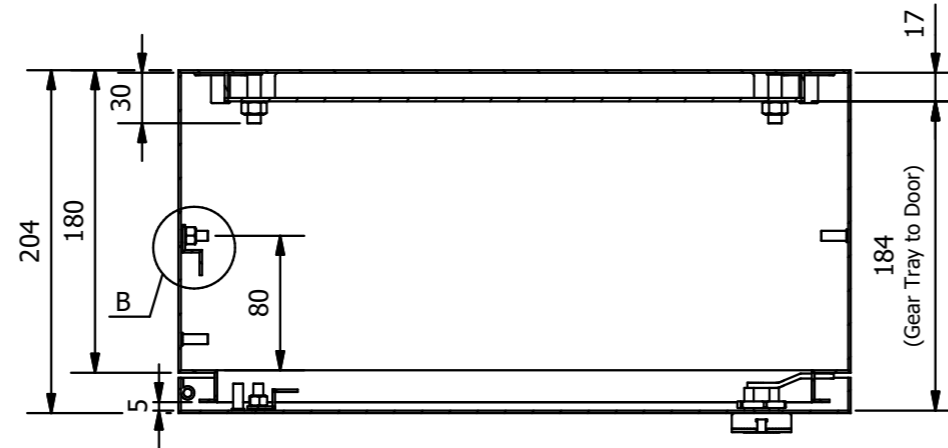
FRONT VIEW



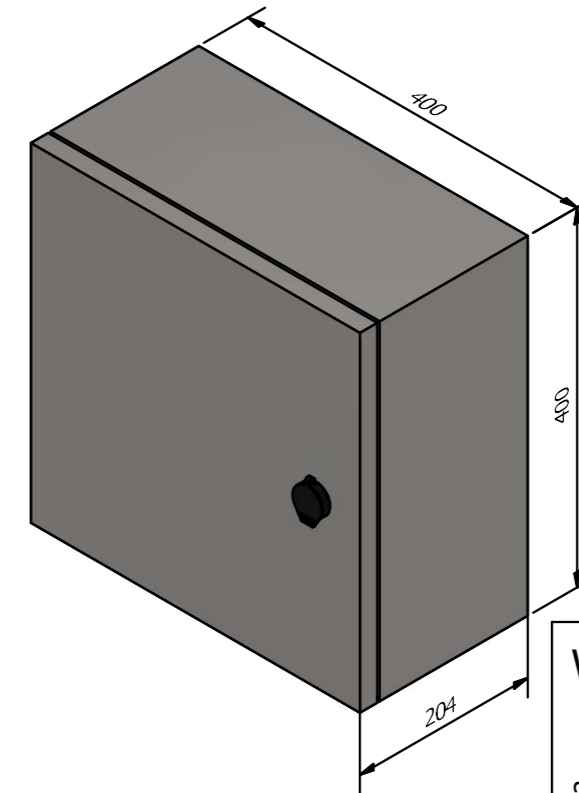
REAR VIEW



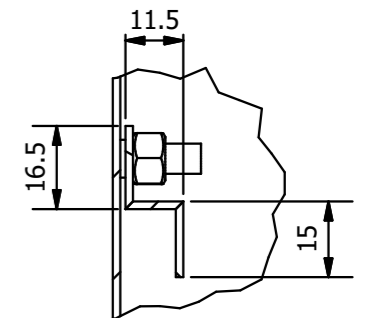
GEAR TRAY



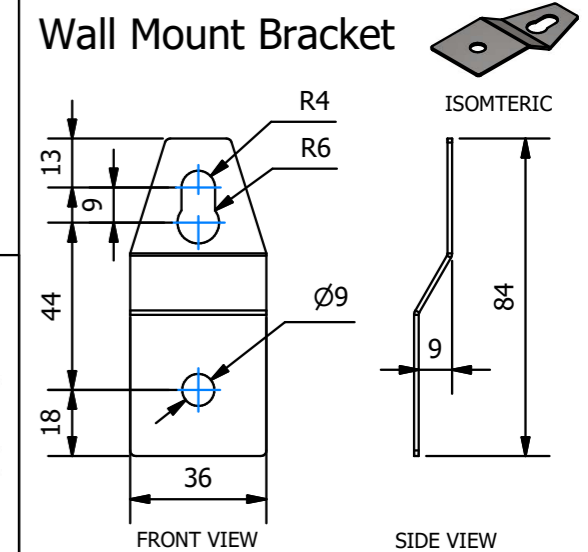
SECTION A-A



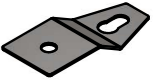
ISOMETRIC VIEW



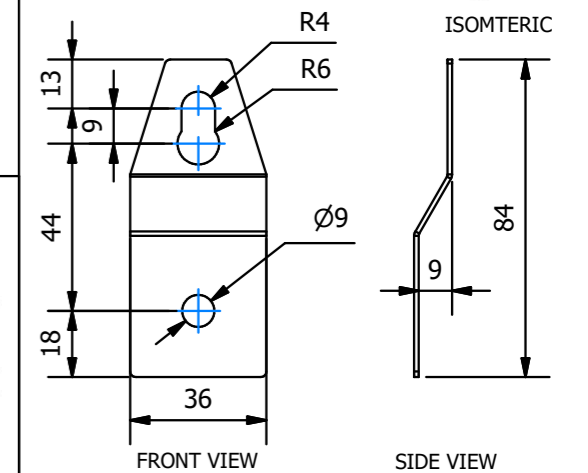
SECTION B



Wall Mount Bracket



ISOMETRIC



Typical Poured Seal Detail  
Poured in Place Polyurethane

20x8mm FIP  
3mm Decompression Typical

**A.E. Stainless Direct**  
P: 1300 533 292  
A: 4/36 Devlan St, Mansfield QLD 4122  
E: info@aestainlessdirect.com.au  
W: aestainlessdirect.com.au

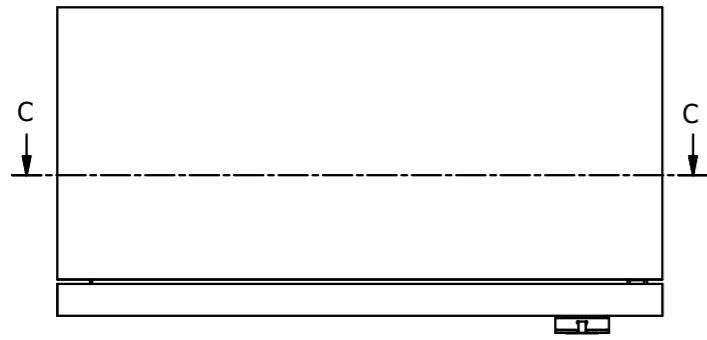
ALL DIMENSIONS ARE IN MILLIMETRES.  
UNLESS OTHERWISE SPECIFIED  
**DO NOT SCALE**

THIS DRAWING INFORMATION AND ALL TECHNICAL DATA  
ENCLOSED HEREIN IS THE PROPERTY OF A.E. STAINLESS DIRECT AND IS NOT TO BE  
USED FOR REPRODUCTION, MANUFACTURE OR PROCUREMENT  
DISCLOSURE TO ANY PARTY WITHOUT THE WRITTEN CONSENT  
OF A.E. STAINLESS DIRECT

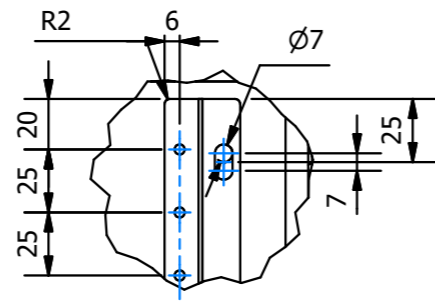
DRAWING NUMBER:  
**SS400x400x200**  
22/02/2021  
1 OF 2

BILL OF MATERIALS					
ITEM	QTY	DESCRIPTION	MATERIAL	THICKNESS	
1	1	BODY	SS316N4	1.5 mm	
2	1	DOOR	SS316N4	1.5 mm	
3	1	GEAR TRAY	GAL - Powder Coated White	2 mm	
4	2	Z-BRACKET	GAL - Powder Coated White	1.5 mm	
5	4	WALL MOUNT BRACKETS	SS316N4	1.5 mm	
6		GLAND PLATE (OPTIONAL)	BR, AL or SS		

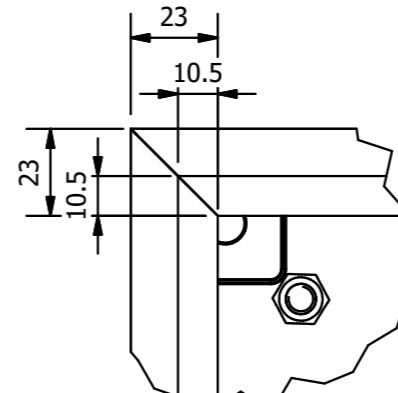
ISOMETERIC



TOP VIEW

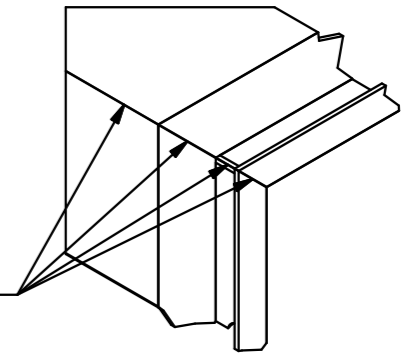


DETAIL F

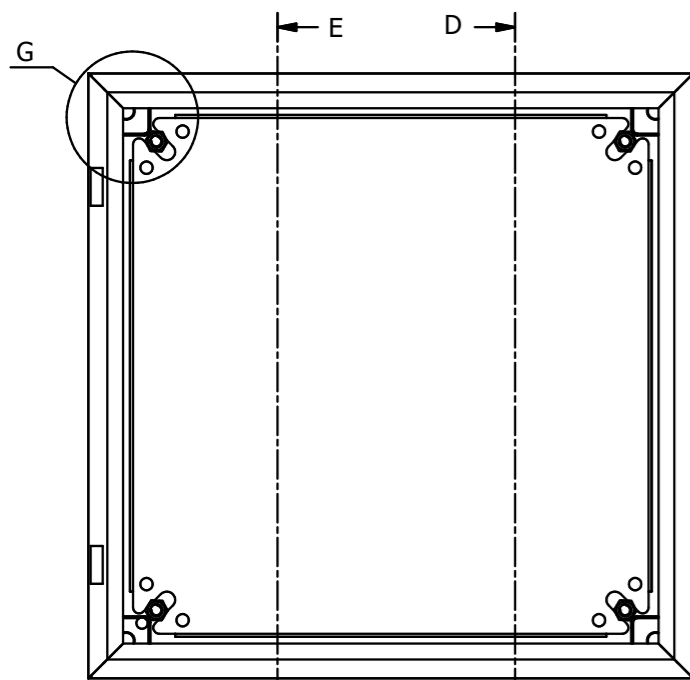


DETAIL G

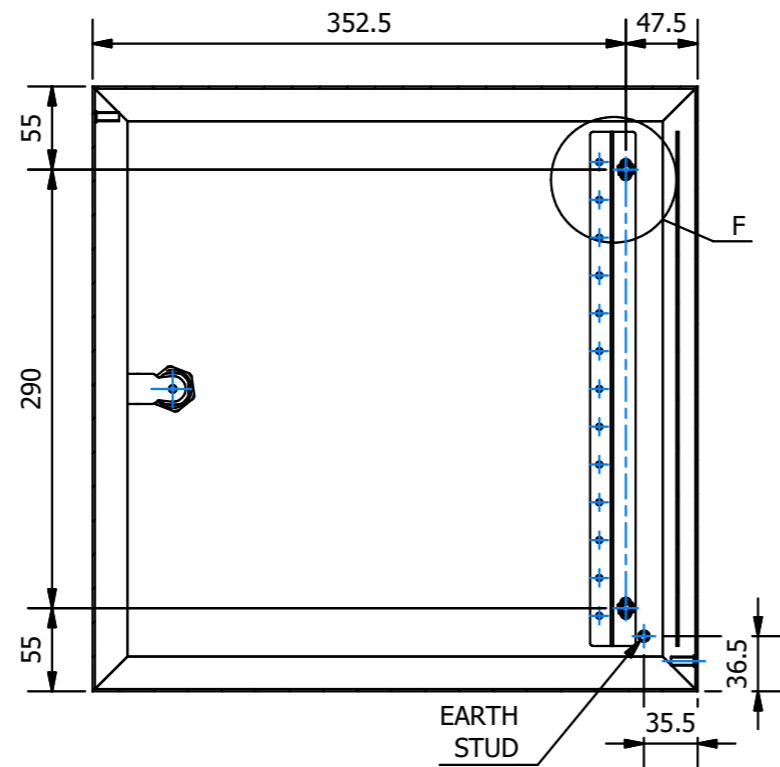
ALL SEAMS TO BE SEAL WELDED FULLY, PRIOR TO POWDER COATING, TO ENSURE IP66 RATING



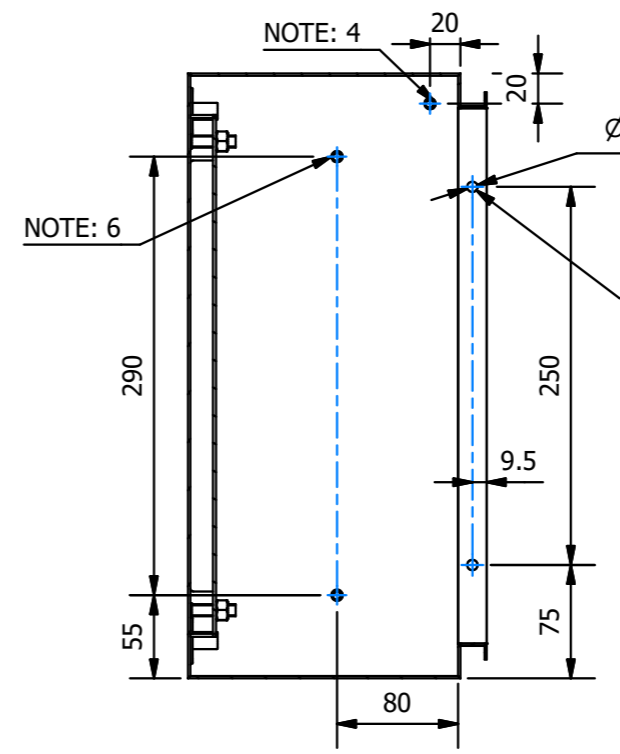
ISOMETRIC VIEW (DETAIL G)



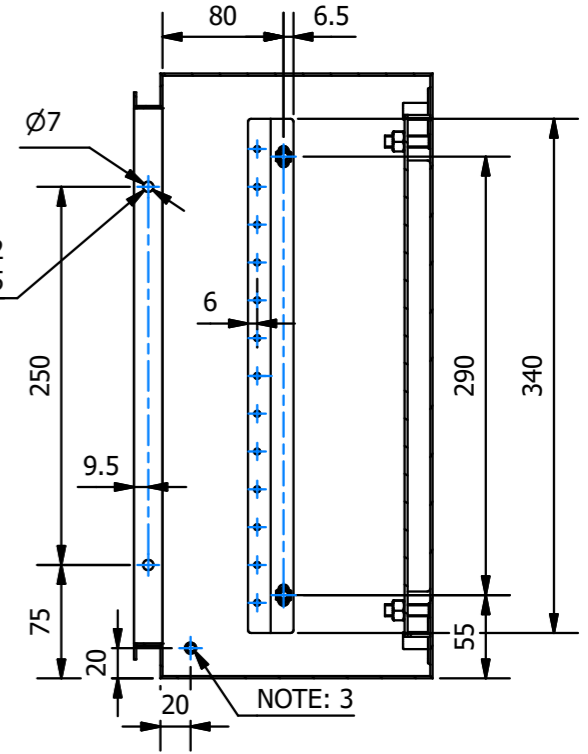
FRONT VIEW WITHOUT DOOR



SECTION C-C



SECTION D-D



SECTION E-E

**Notes:**

1. Door cam to always face up when lock is in the 'Open/Unlocked' position.
2. Holes for door hinges to be on both sides to allow for left and right hinged door orientation.
3. Earth stud for when door is in the 'normal' left hand hinged orientation.
4. Earth stud for when door is in the right hand hinged orientation.
5. Open hinge holes to be fitted with same bolts as used on hinges, with added plastic washer on inside.
6. Studs for Z-Bracket when door is in the right hand hinged orientation.

**A.E. Stainless Direct**  
 P: 1300 533 292  
 A: 4/36 Devlan St, Mansfield QLD 4122  
 E: info@aestainlessdirect.com.au  
 W: aestainlessdirect.com.au

ALL DIMENSIONS ARE IN MILLIMETRES. UNLESS OTHERWISE SPECIFIED

**DO NOT SCALE**

THIS DRAWING INFORMATION AND ALL TECHNICAL DATA ENCLOSED HEREIN IS THE PROPERTY OF A.E. STAINLESS DIRECT AND IS NOT TO BE USED FOR REPRODUCTION, MANUFACTURE OR DISCLOSURE TO ANY PARTY WITHOUT THE WRITTEN CONSENT OF A.E. STAINLESS DIRECT

DRAWING NUMBER:  
**SS400x400x200**

22/02/2021

2 OF 2

