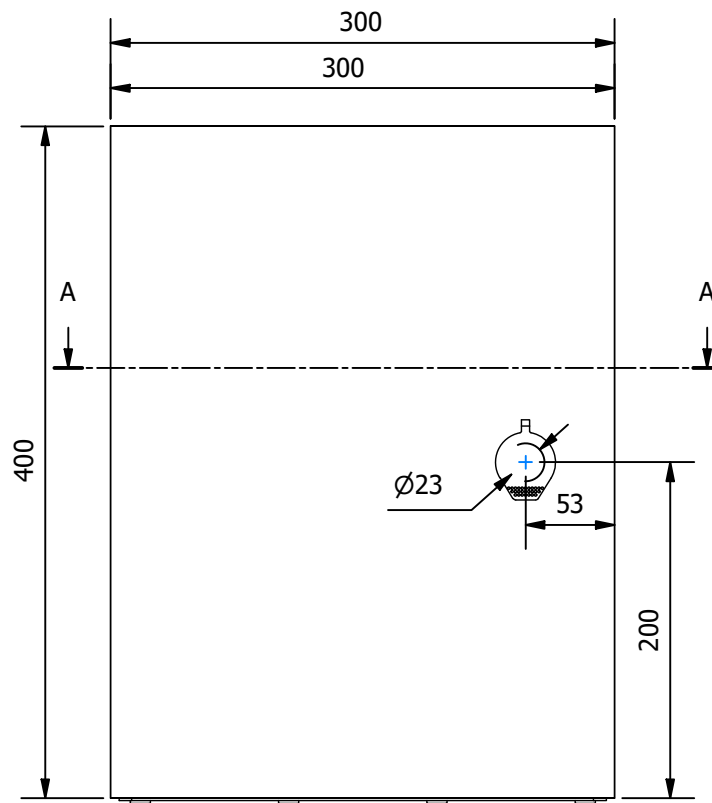
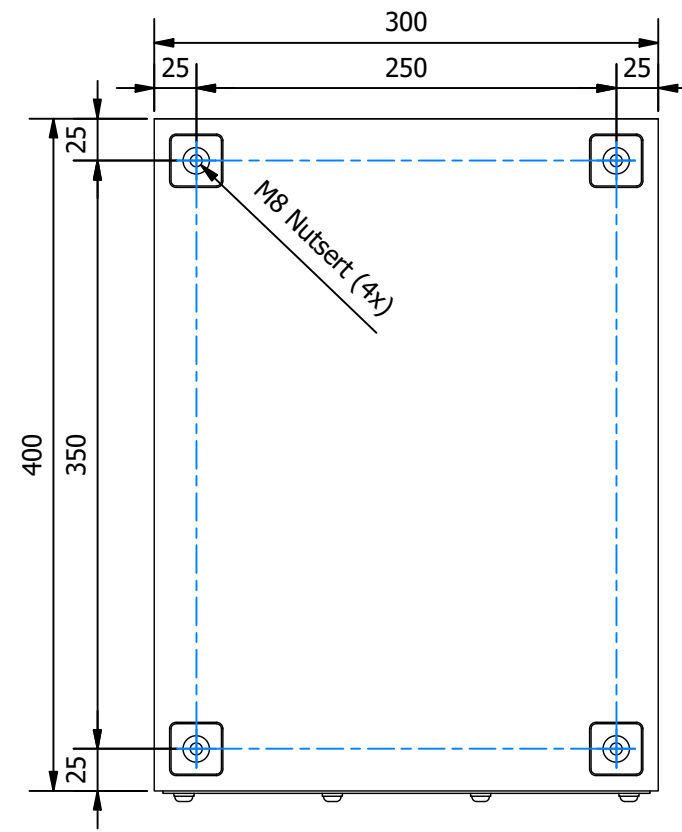


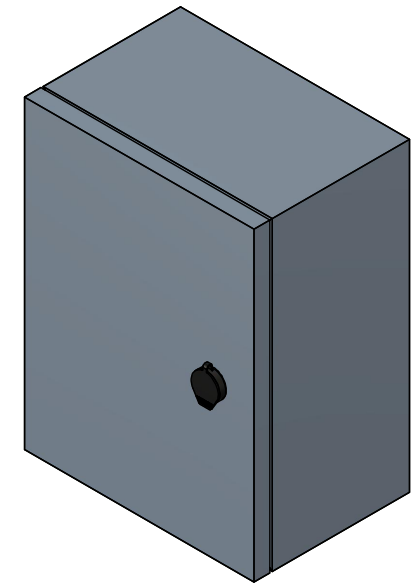
FRONT VIEW
WITHOUT DOOR



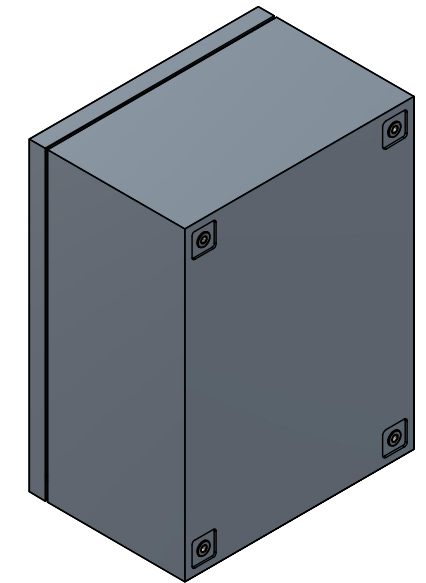
FRONT VIEW



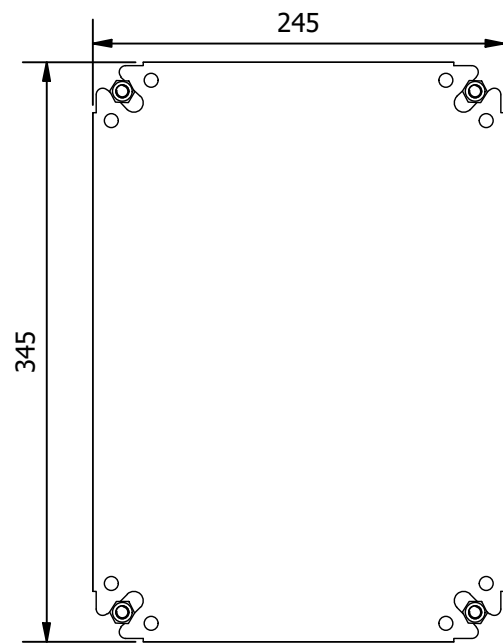
REAR VIEW



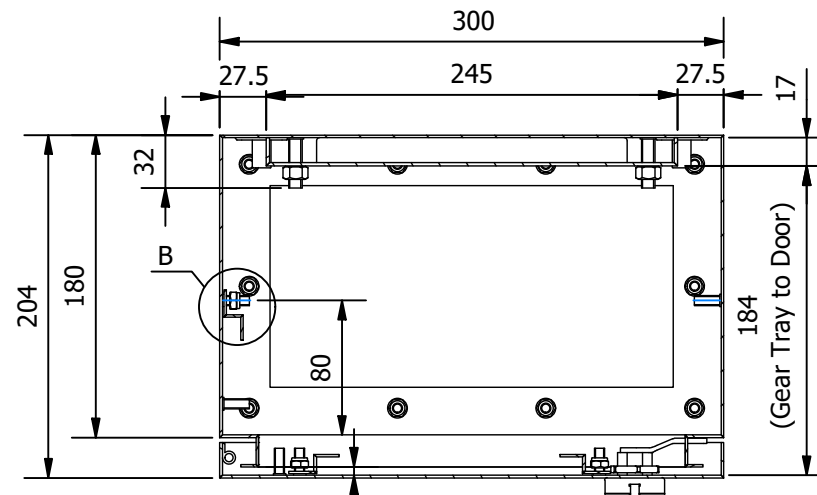
ISOMETRIC VIEW



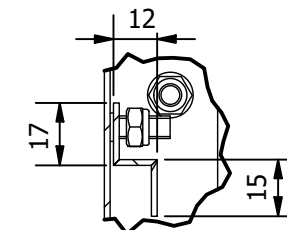
ISOMETRIC REAR VIEW



GEAR TRAY



SECTION A-A



DETAIL B

A.E. Stainless Direct
 P: 1300 533 292
 A: 4/36 Devlan St, Mansfield QLD 4122
 E: info@aestainlessdirect.com.au
 W: aestainlessdirect.com.au

DRAWING NUMBER:
ALU-RAL7035-400x300x200

BILL OF MATERIALS

ITEM	QTY	DESCRIPTION	MATERIAL	THICKNESS
1	1	BODY	Steel, Galvanized	2.5 mm
2	1	DOOR	AL5005	2.5 mm
3	1	GEAR TRAY	AL5005 - Powder Coated White	2.5 mm
4	3	Z-BRACKET/U-BRACKET	AL5005 - Powder Coated White	2.5 mm
5	4	WALL MOUNT BRACKETS	SS316N4	1.2 mm
6		GLAND PLATE (OPTIONAL)	BR, AL or SS	
5	4	M8x30 WELD STUD	Stainless Steel	
6	4	M8 Hex Nyloc	Stainless Steel	

ALL DIMENSIONS ARE IN MILLIMETRES.
 UNLESS OTHERWISE SPECIFIED

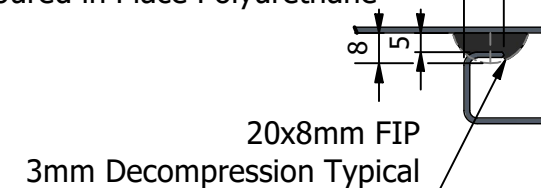
19/08/2021

DO NOT SCALE

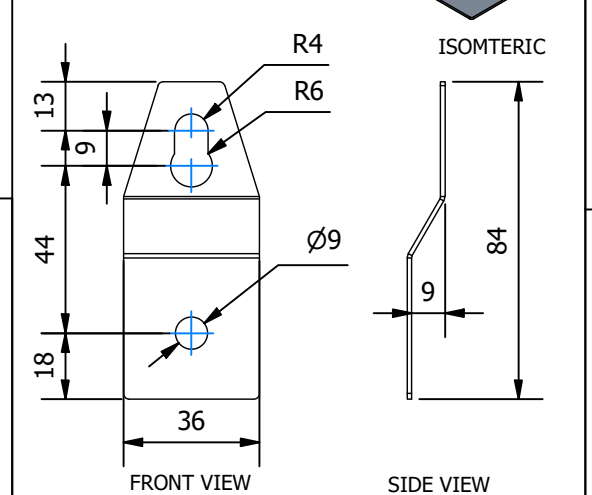
THIS DRAWING INFORMATION AND ALL TECHNICAL DATA
 ENCLOSED HEREIN
 IS THE PROPERTY OF A.E. STAINLESS DIRECT AND IS NOT TO BE
 USED FOR REPRODUCTION, MANUFACTURE PROCUREMENT
 DISCLOSURE TO
 ANY PARTY WITHOUT THE WRITTEN CONSENT
 OF A.E. STAINLESS DIRECT

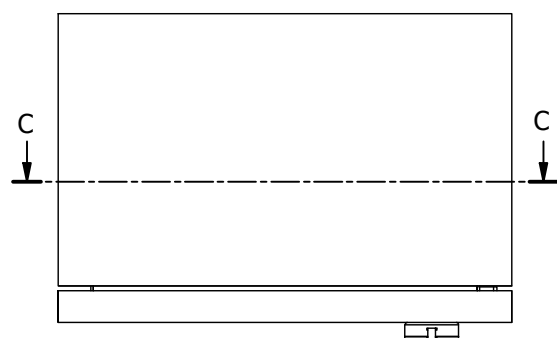
1 OF 2

Typical Poured Seal Detail
 Poured in Place Polyurethane

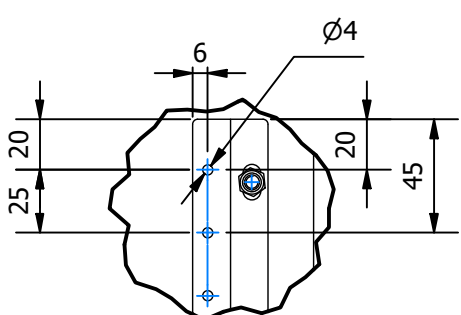


Wall Mount Bracket

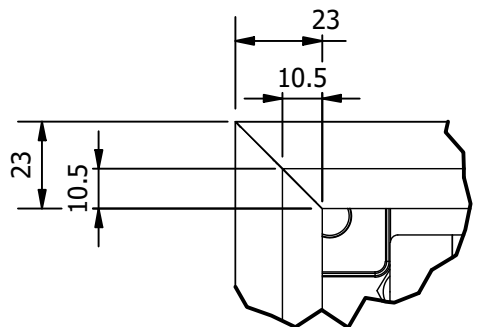




TOP VIEW

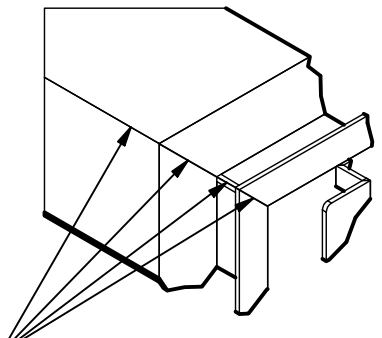


DETAIL F

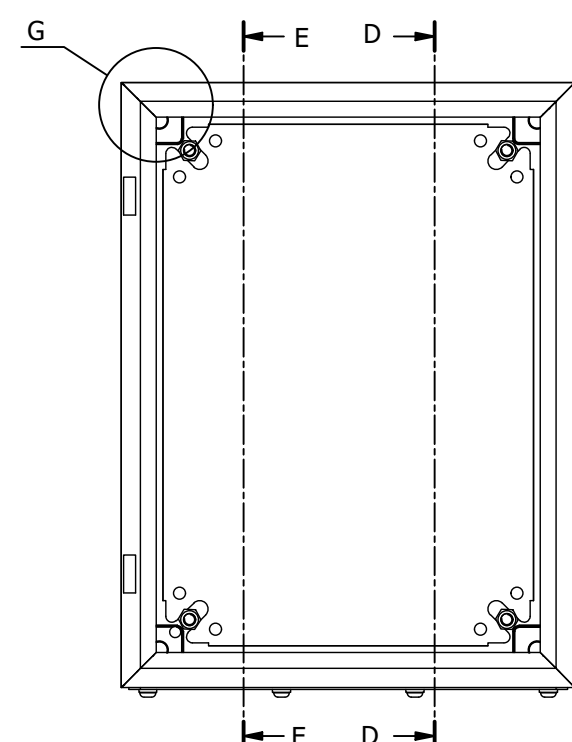


DETAIL G

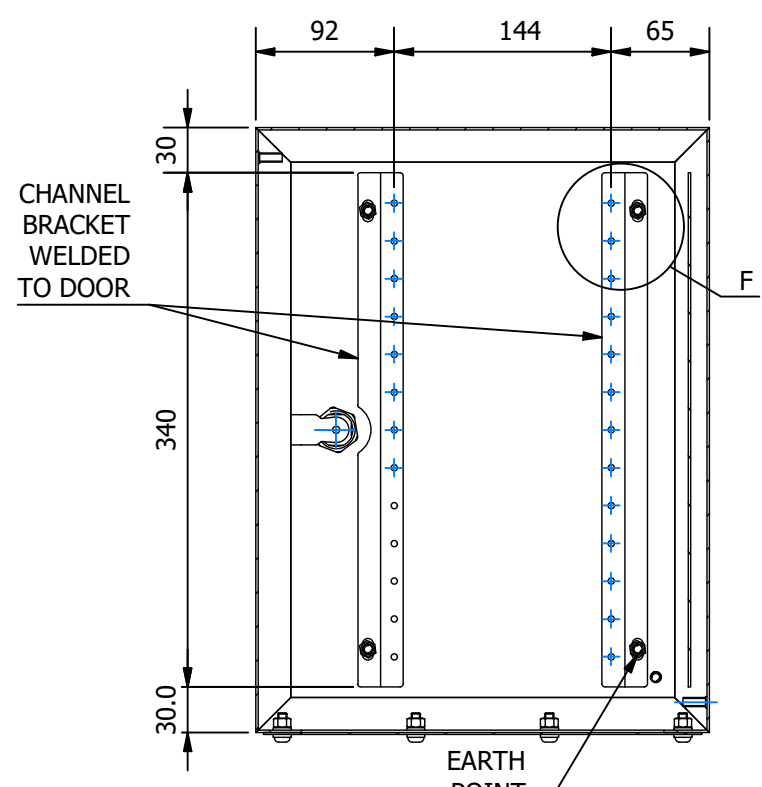
ALL SEAMS TO BE SEAL WELDED FULLY, PRIOR TO POWDER COATING, TO ENSURE IP66 RATING



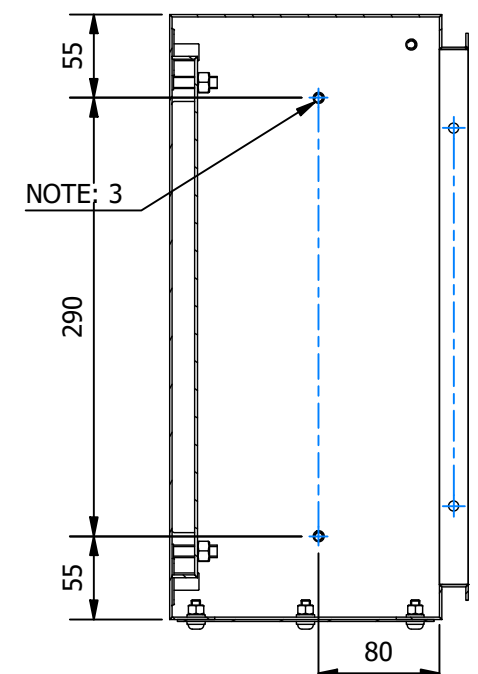
ISOMETRIC VIEW (DETAIL G)



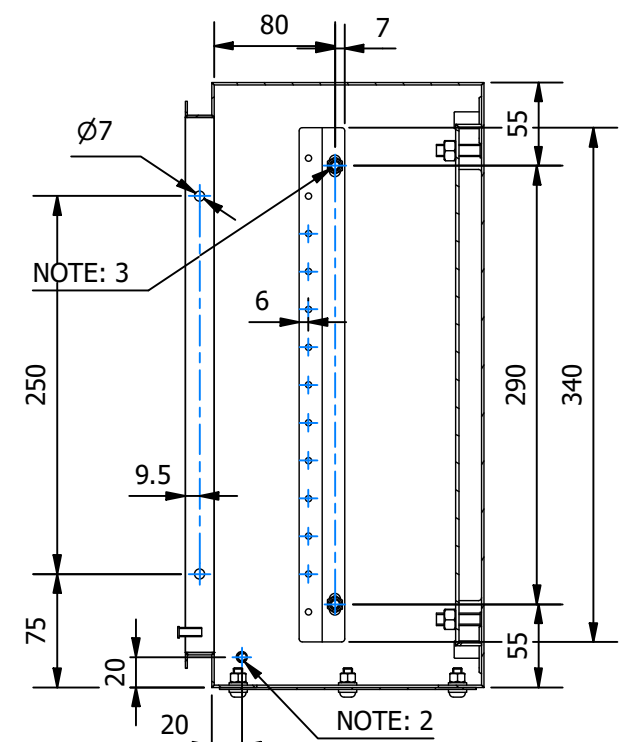
FRONT VIEW WITHOUT DOOR



SECTION C-C



SECTION D-D



SECTION E-E

- Notes:**
1. Door cam to always face up when lock is in the 'Open/Unlocked' position.
 2. Earth stud
 3. Studs for Z-Bracket/inner door.

A.E. Stainless Direct
 P: 1300 533 292
 A: 4/36 Devlan St, Mansfield QLD 4122
 E: info@aestainlessdirect.com.au
 W: aestainlessdirect.com.au

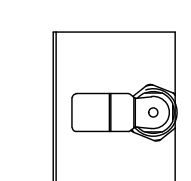
DRAWING NUMBER:
ALU-RAL7035-400x300x200

ALL DIMENSIONS ARE IN MILLIMETRES.
 UNLESS OTHERWISE SPECIFIED
DO NOT SCALE

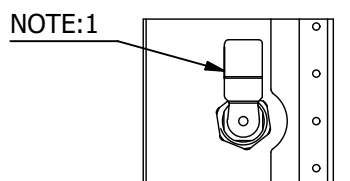
19/08/2021

THIS DRAWING INFORMATION AND ALL TECHNICAL DATA ENCLOSED HEREIN IS THE PROPERTY OF A.E. STAINLESS DIRECT AND IS NOT TO BE USED FOR REPRODUCTION, MANUFACTURE PROCUREMENT DISCLOSURE TO ANY PARTY WITHOUT THE WRITTEN CONSENT OF A.E. STAINLESS DIRECT

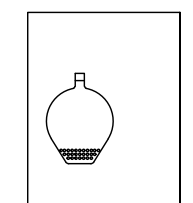
2 OF 2



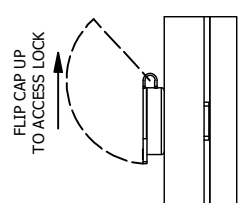
BACK OF LOCK (LOCKED POSITION)



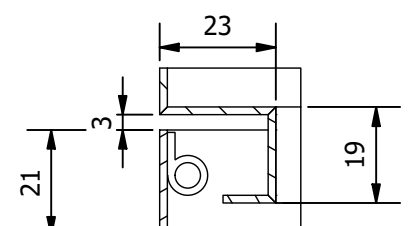
BACK OF LOCK (UNLOCKED POSITION)



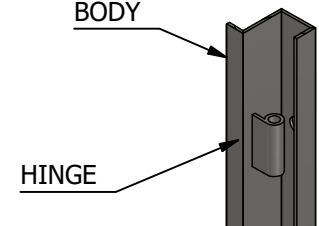
FRONT VIEW



SIDE VIEW



DOOR HINGE SECTION



ISOMETRIC VIEW