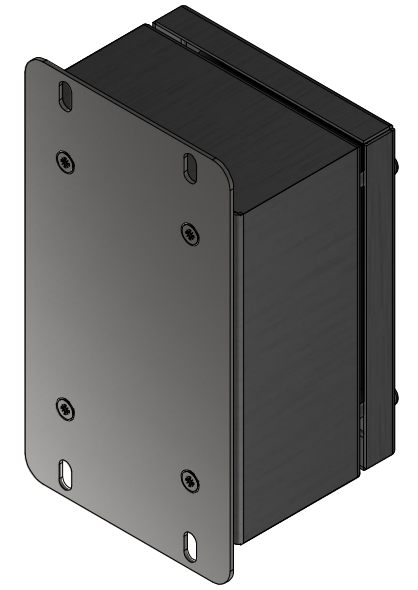
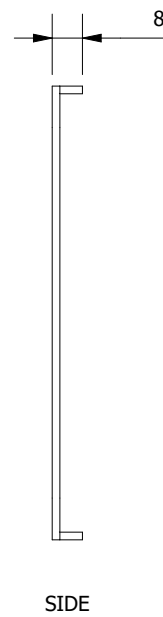
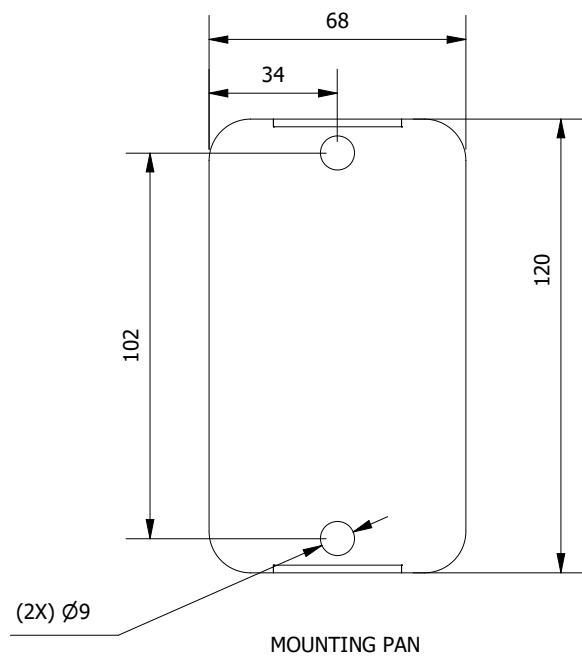
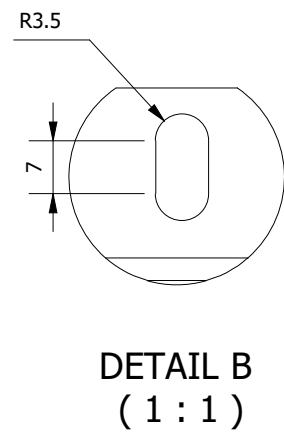
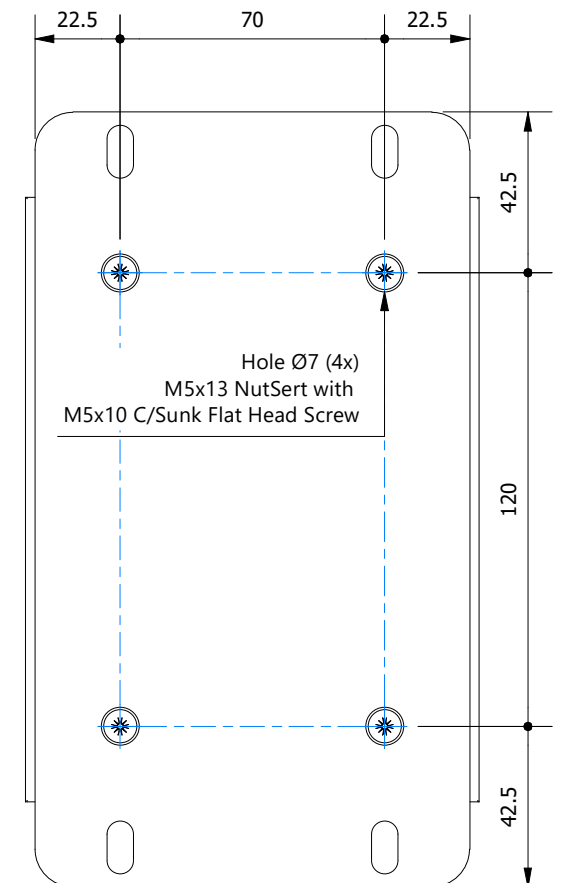
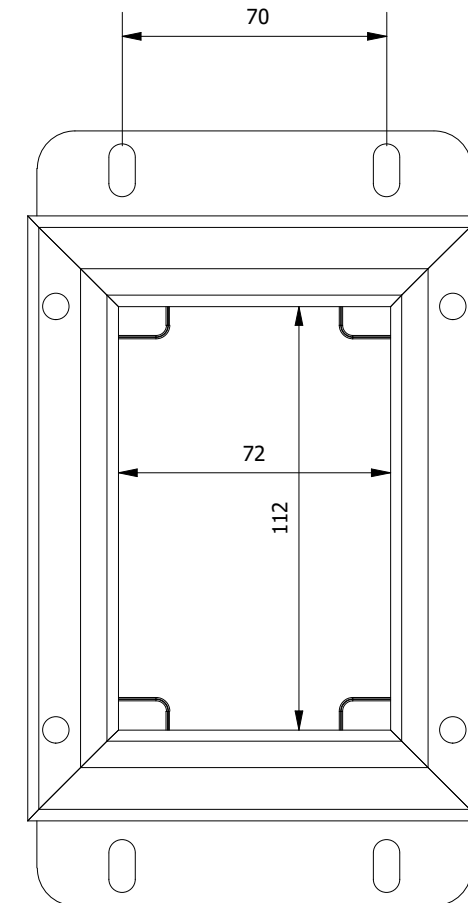
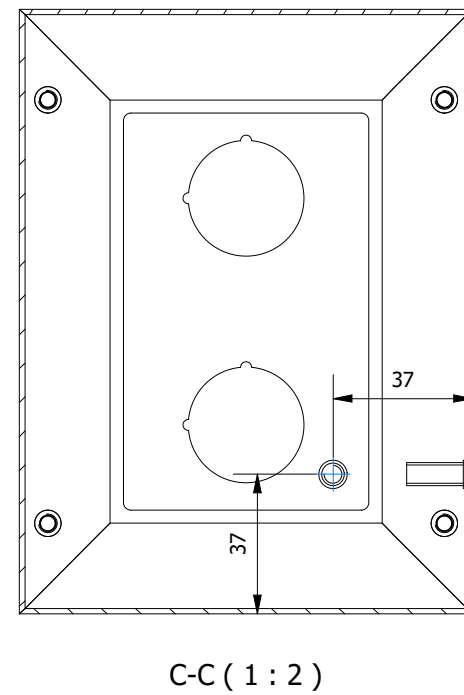
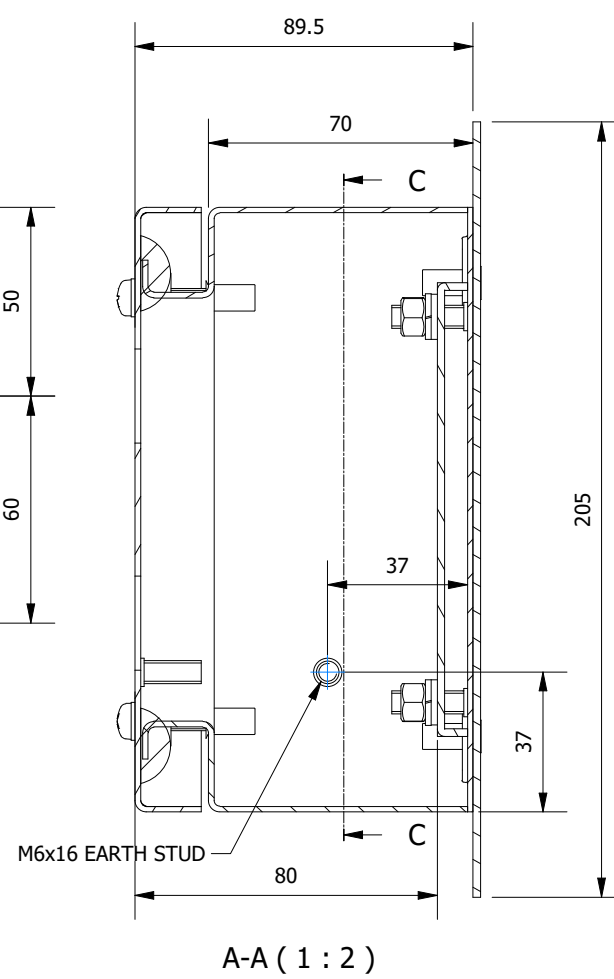
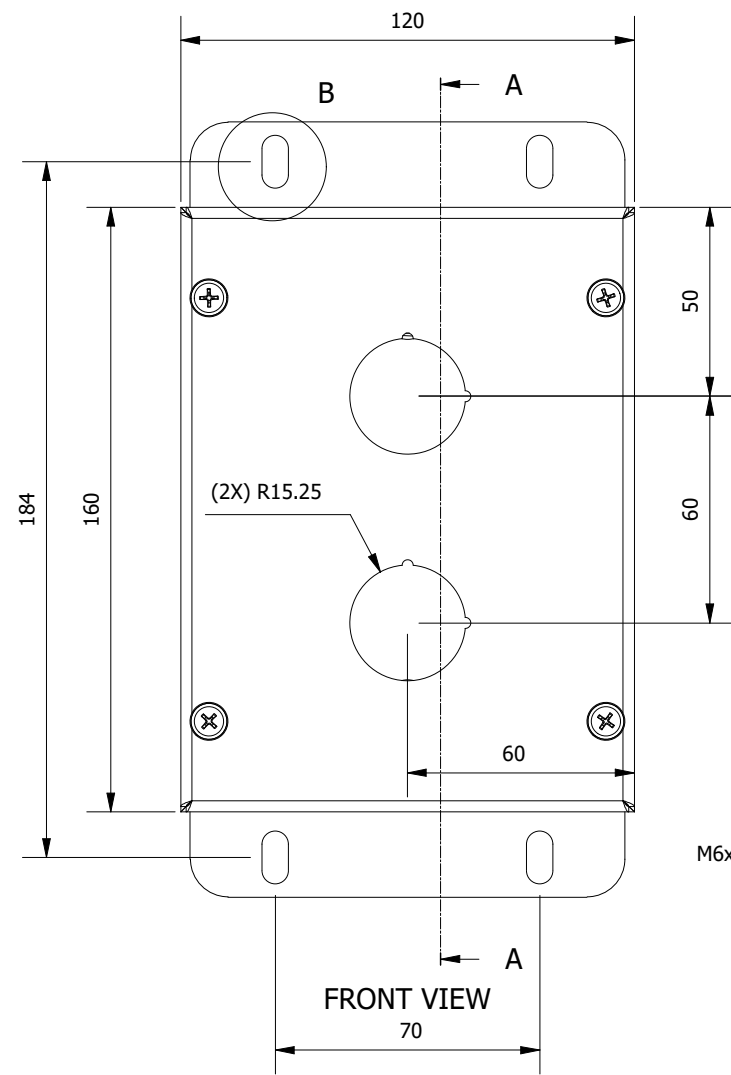


SS 160x120x90 IP66



A.E. Stainless Direct
P: 1300 533 292
A: 4/36 Devlan St, Mansfield QLD 4122
E: info@aestainlessdirect.com.au
W: aestainlessdirect.com.au

ALL DIMENSIONS ARE IN MILLIMETRES.
UNLESS OTHERWISE SPECIFIED
TOLERANCES:
GENERAL: ± 0.5 HOLE CRS: ± 0.2
HOLE Ø: ± 0.1 ANGLE: ± 0.5°
CORNER RADS = MATERIAL THICKNESS

CLIENT:
DRAWING TITLE:
SS-PBS2-161290 with 30.5mm hole

MATERIAL:
THICKNESS:
FINISH:
INGRESS PROTECTION RATING: IP66

REV	DATE	DRN	CHK	DESCRIPTION
-	-	-	-	-
-	-	-	-	-
-	-	-	-	-
-	-	-	-	-
-	-	-	-	-

DO NOT SCALE
THIS DRAWING INFORMATION AND ALL TECHNICAL DATA ENCLOSED HEREIN IS THE PROPERTY OF A.E. STAINLESS DIRECT AND IS NOT TO BE USED FOR REPRODUCTION, MANUFACTURE PROCUREMENT DISCLOSURE TO ANY PARTY WITHOUT THE WRITTEN CONSENT OF A.E. STAINLESS DIRECT

SURFACE AREA N/A

DRAWN:
CHECKED:
DESIGN APPROVAL:
PROJECT APPROVAL:

R.P.
7/03/2025

DRAWING NUMBER:
SS-PBS2-161290-30.5mm

REVISION: A
SCALE: 1 : 2
SIZE: A3
SHEET NUMBER: 1 OF 1