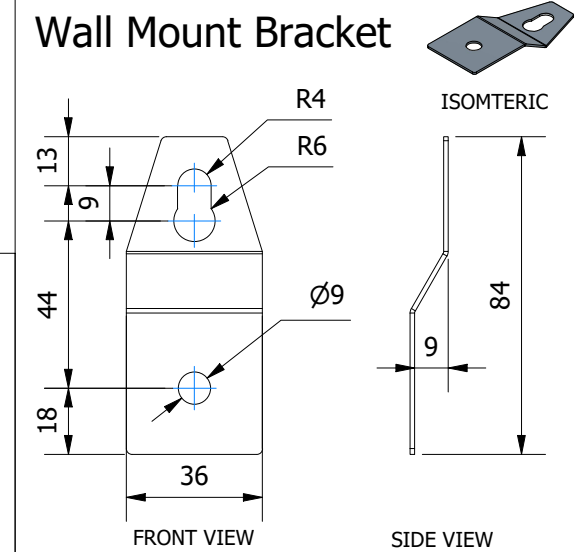
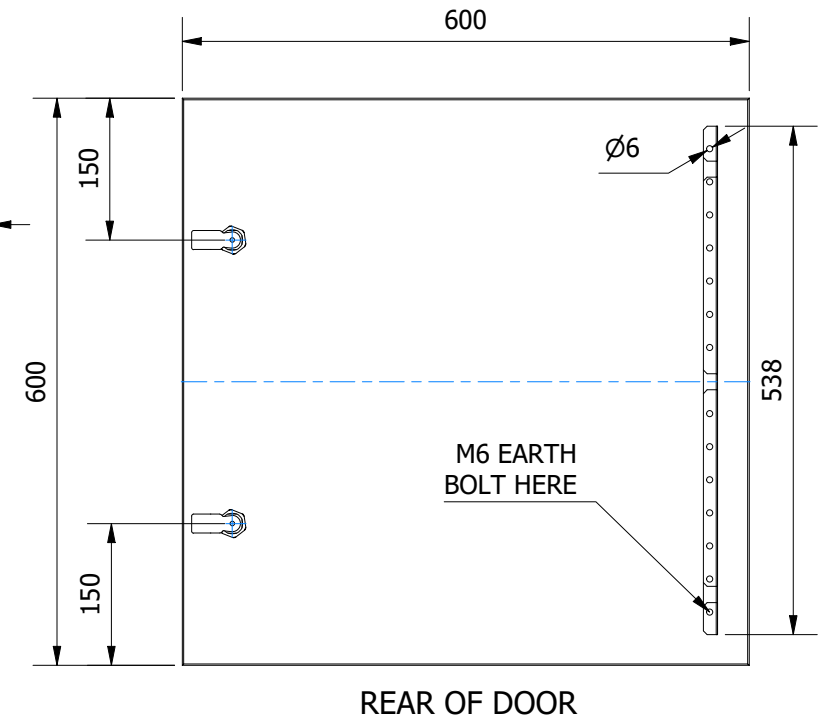
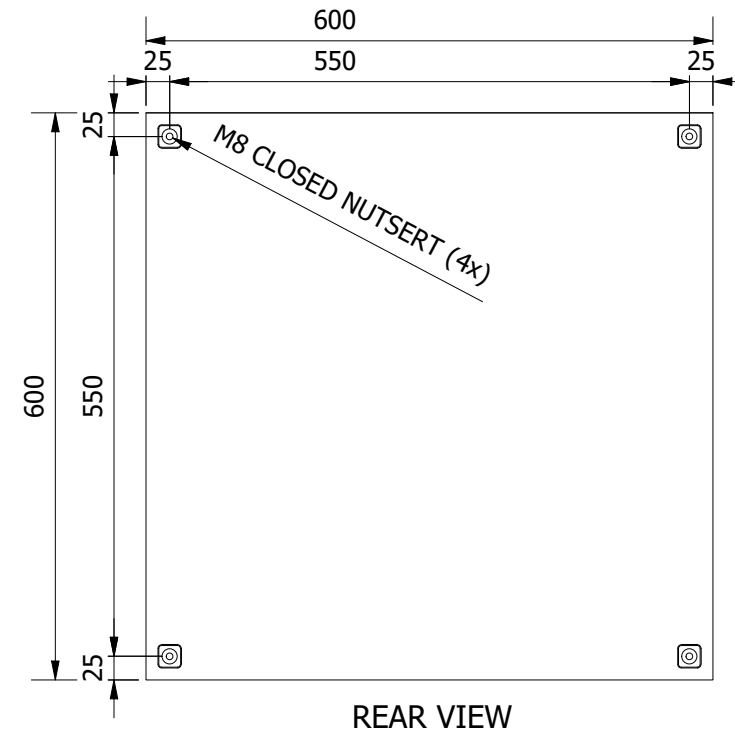
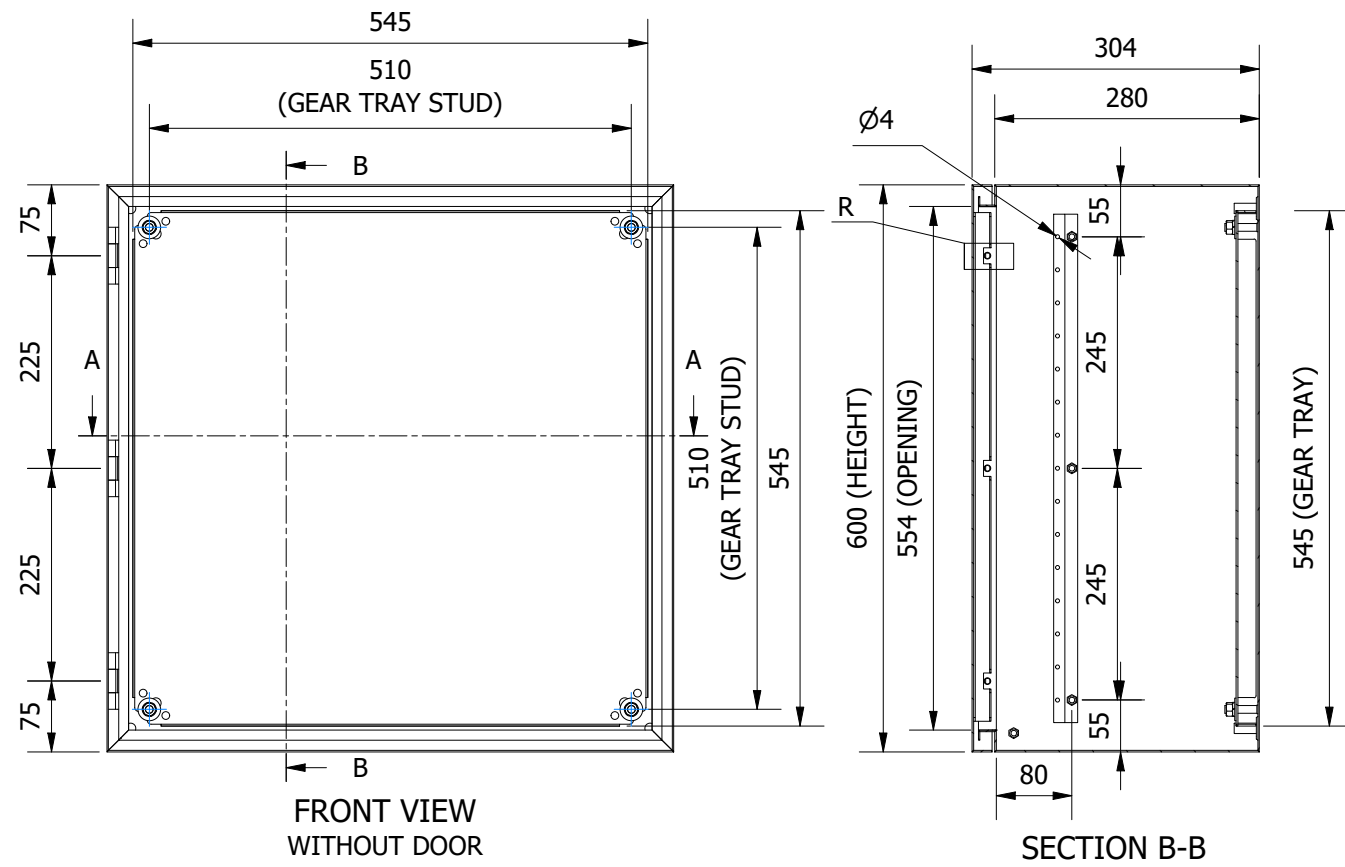
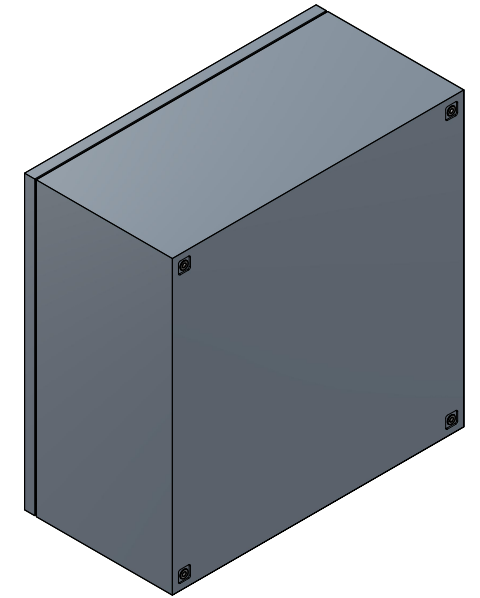
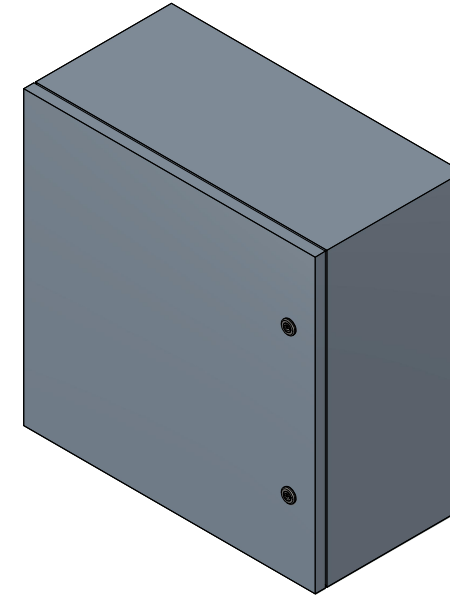
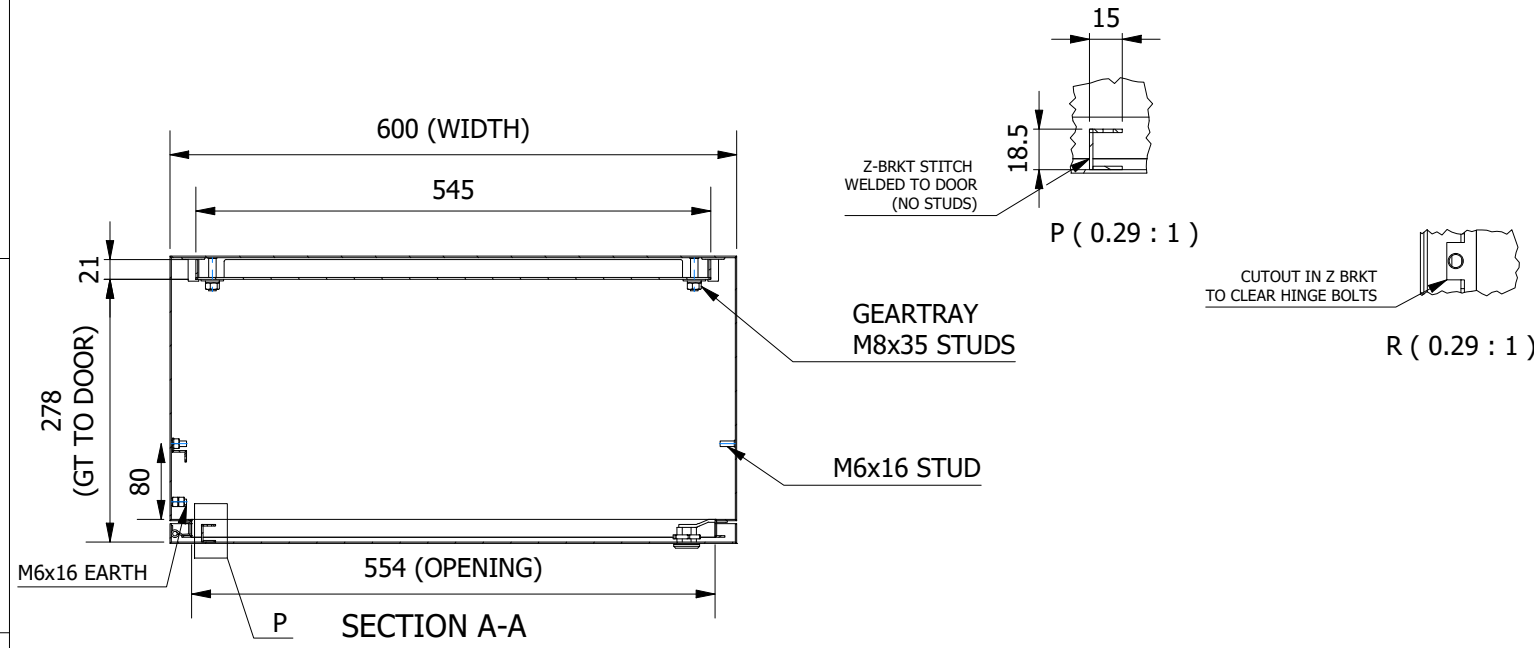
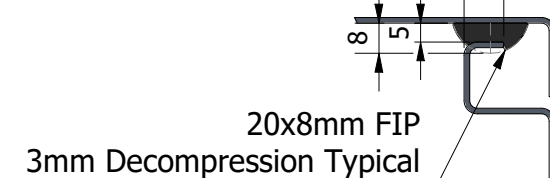


Aluminium RAL7035 Powder Coated Enclosure



Typical Poured Seal Detail

Poured in Place Polyurethane



P: 1300 533 292
A: 4/36 Devlan St, Mansfield QLD 4122
E: info@aestainlessdirect.com.au
W: aestainlessdirect.com.au

DRAWING NUMBER:
AL-600x600x300

BILL OF MATERIALS					
ITEM	QTY	DESCRIPTION	MATERIAL	THICKNESS	
1	1	BODY	AL5005	2.5 mm	
2	1	DOOR	AL5005	2.5 mm	
3	1	GEAR TRAY	AL- Powder Coated White	2.5 mm	
4	2	Z-BRACKET	AL5005	2.5 mm	
5	4	WALL MOUNT BRACKETS	GAL	1 mm	

ALL DIMENSIONS ARE IN MILLIMETRES.
UNLESS OTHERWISE SPECIFIED

DO NOT SCALE

THIS DRAWING INFORMATION AND ALL TECHNICAL DATA
ENCLOSED HEREIN
IS THE PROPERTY OF A.E. STAINLESS DIRECT AND IS NOT TO BE
USED FOR REPRODUCTION, MANUFACTURE PROCUREMENT
DISCLOSURE TO
ANY PARTY WITHOUT THE WRITTEN CONSENT
OF A.E. STAINLESS DIRECT

21/05/2020

1 OF 1