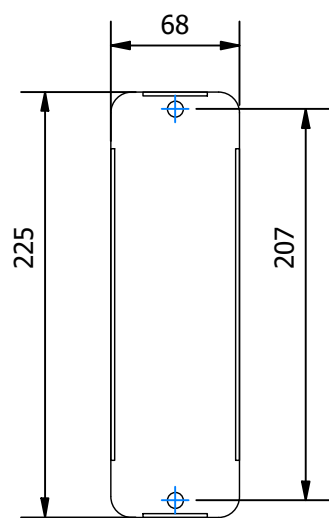
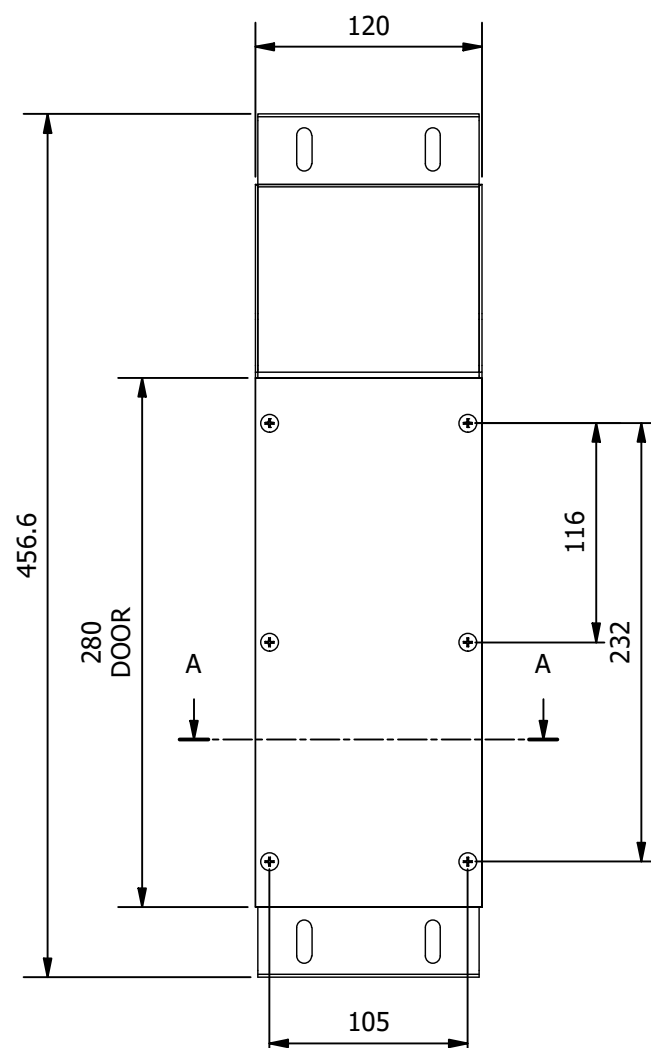


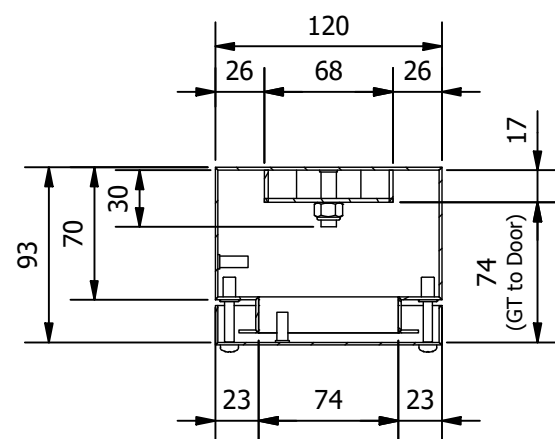
FRONT VIEW WITHOUT DOOR



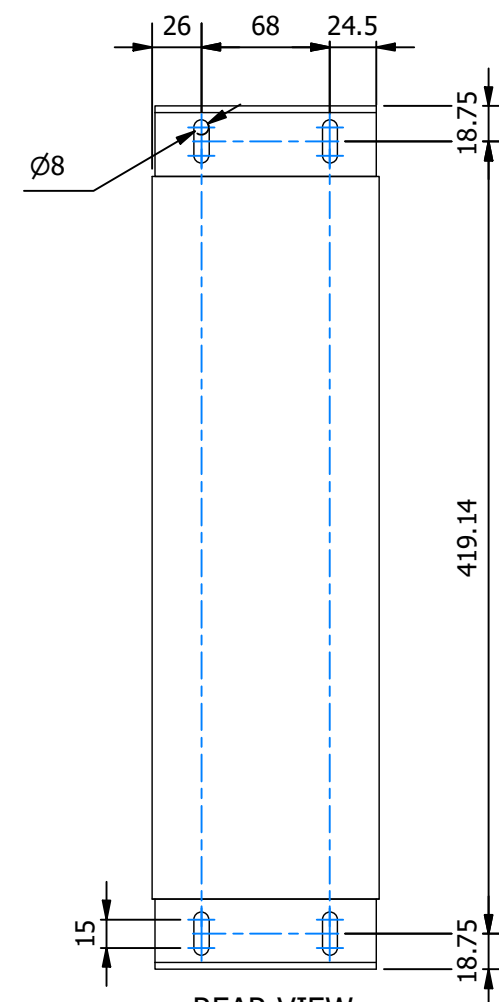
GEAR TRAY



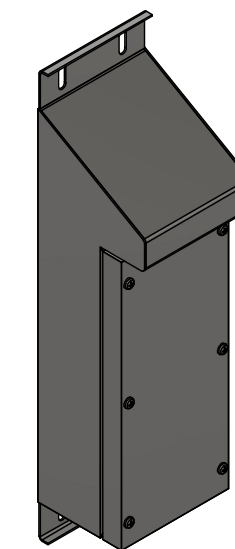
FRONT VIEW



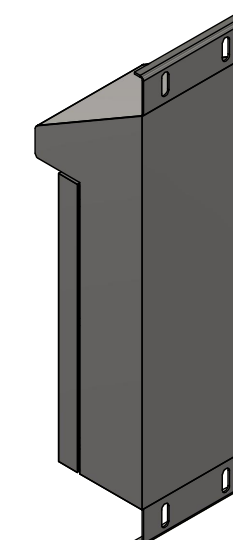
SECTION A-A



REAR VIEW



ISOMETRIC VIEW



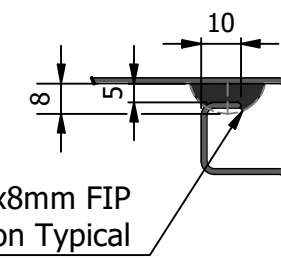
REAR ISOMETRIC VIEW

A.E. Stainless Direct  
 P: 1300 533 292  
 A: 4/36 Devlan St, Mansfield QLD 4122  
 E: info@aestainlessdirect.com.au  
 W: aestainlessdirect.com.au

DRAWING NUMBER:  
**SS-SR-PBS-B4-281290**

BILL OF MATERIALS					
ITEM	QTY	DESCRIPTION	MATERIAL	THICKNESS	
1	1	3D MODEL	SS316N4	1.5 mm	
2	1	DOOR	SS316N4	1.5 mm	
3	1	GEAR TRAY	GAL - Powder Coated White	2 mm	
4	4	Pan head with type H or type Z cross recess. Product grade A	Stainless Steel, 440C		
5	4	Std M6 SS Nutsert	Stainless Steel		

Typical Poured Seal Detail  
 Poured in Place Polyurethane



20x8mm FIP  
 3mm Decompression Typical

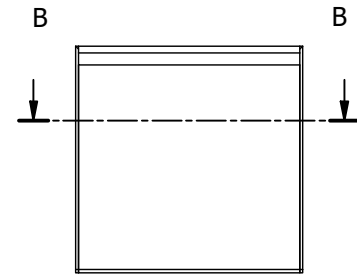
ALL DIMENSIONS ARE IN MILLIMETRES.  
 UNLESS OTHERWISE SPECIFIED

DO NOT SCALE

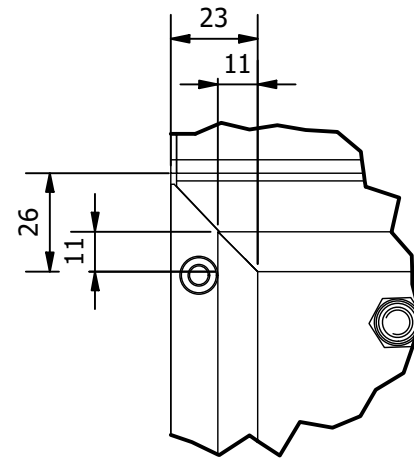
THIS DRAWING INFORMATION AND ALL TECHNICAL DATA ENCLOSED HEREIN IS THE PROPERTY OF A.E. STAINLESS DIRECT AND IS NOT TO BE USED FOR REPRODUCTION, MANUFACTURE PROCUREMENT DISCLOSURE TO ANY PARTY WITHOUT THE WRITTEN CONSENT OF A.E. STAINLESS DIRECT

23/03/2021

1 OF 2

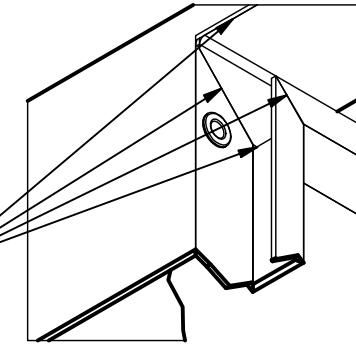


TOP VIEW

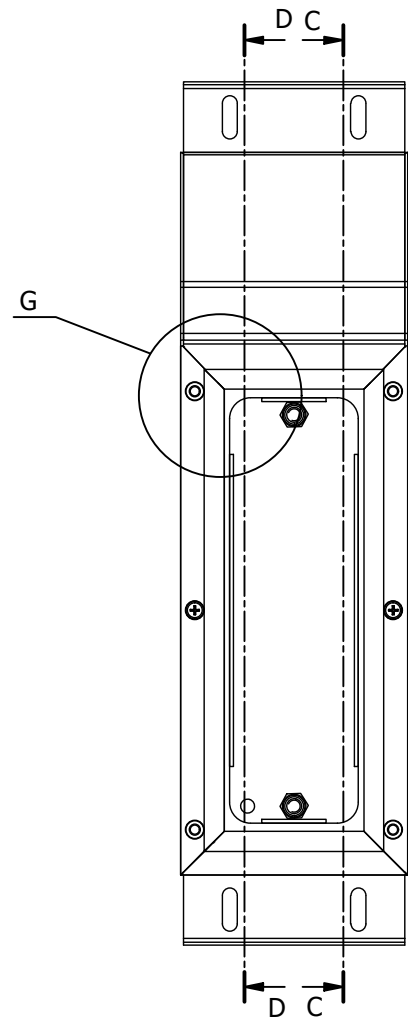


DETAIL G

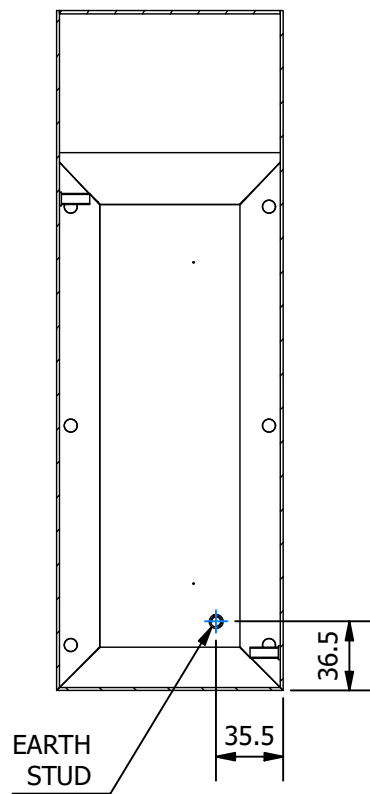
ALL SEAMS TO BE SEAL WELDED FULLY TO ENSURE IP66 RATING



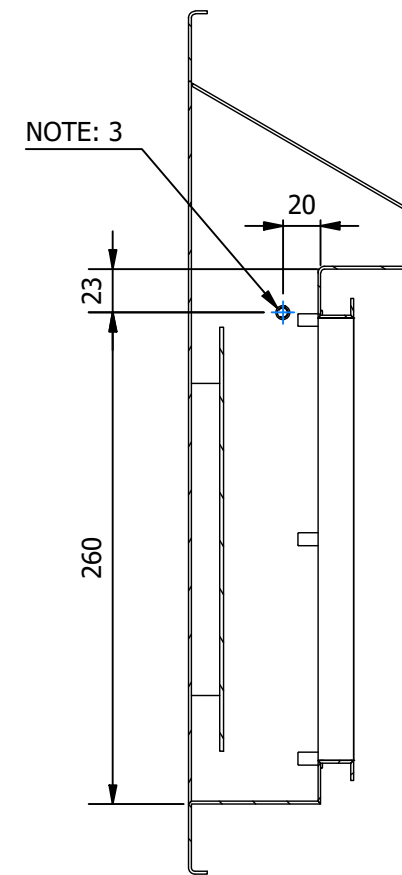
BOTTOM ISOMETRIC VIEW  
DETAIL G



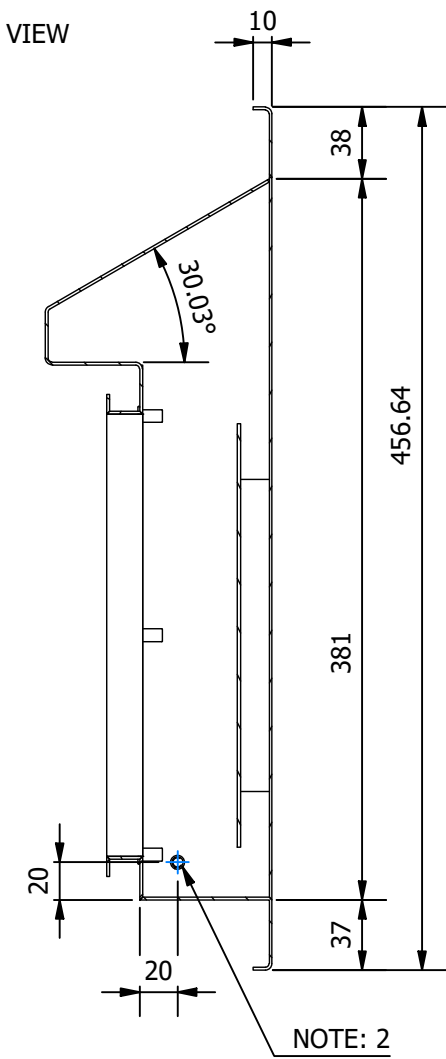
FRONT VIEW  
WITHOUT DOOR



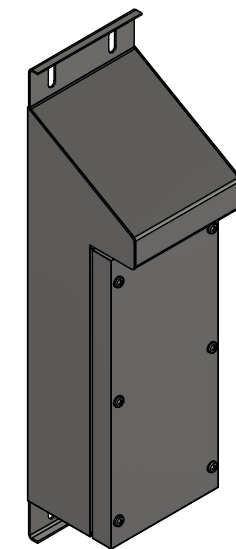
SECTION B-B



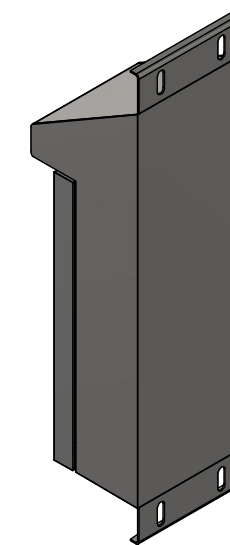
SECTION C-C



SECTION D-D




ISOMETRIC VIEW



REAR ISOMETRIC VIEW

**Notes:**

1. Door cam to always face up when lock is in the 'Open/Unlocked' position.
2. Earth stud for when door is in the 'normal' left hand hinged orientation.
3. Earth stud for when door is in the right hand hinged orientation.

 P: 1300 533 292 A: 4/36 Devlan St, Mansfield QLD 4122 E: info@aestainlessdirect.com.au W: aestainlessdirect.com.au	DRAWING NUMBER:
	SS-SR-PBS-B4-281290
ALL DIMENSIONS ARE IN MILLIMETRES. UNLESS OTHERWISE SPECIFIED  <b>DO NOT SCALE</b>	23/03/2021
THIS DRAWING INFORMATION AND ALL TECHNICAL DATA ENCLOSED HEREIN IS THE PROPERTY OF A.E. STAINLESS DIRECT AND IS NOT TO BE USED FOR REPRODUCTION, MANUFACTURE PROCUREMENT DISCLOSURE TO ANY PARTY WITHOUT THE WRITTEN CONSENT OF A.E. STAINLESS DIRECT	2 OF 2