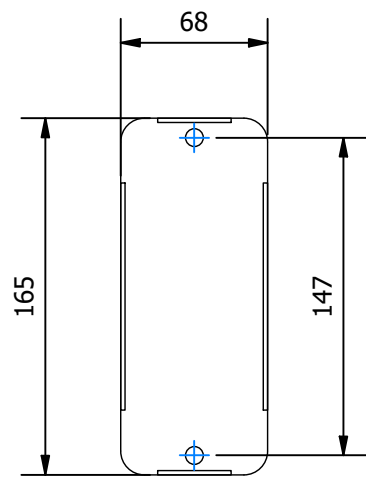
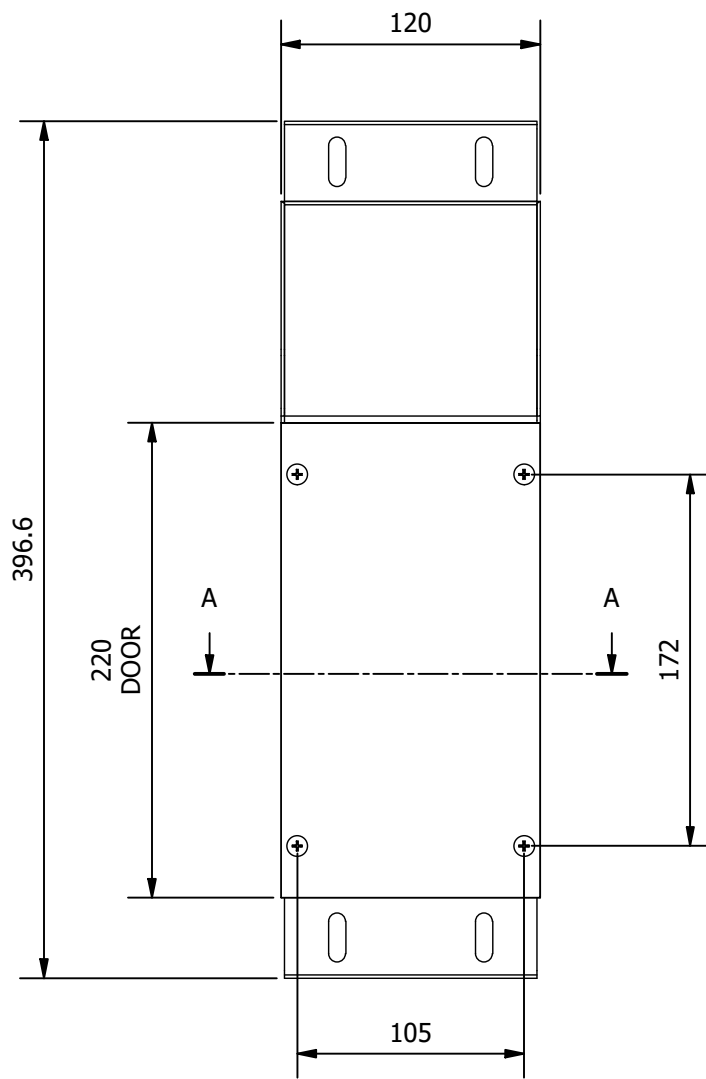


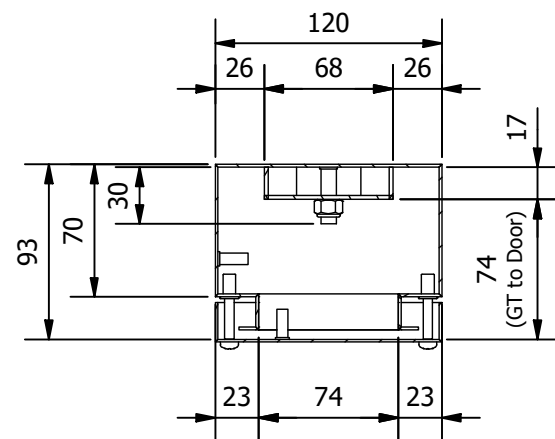
FRONT VIEW
WITHOUT DOOR



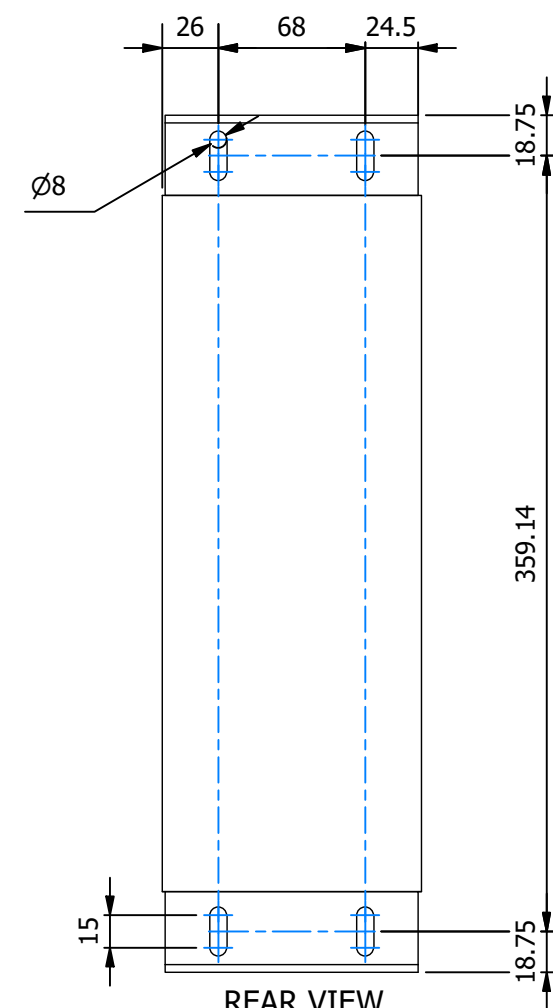
GEAR TRAY



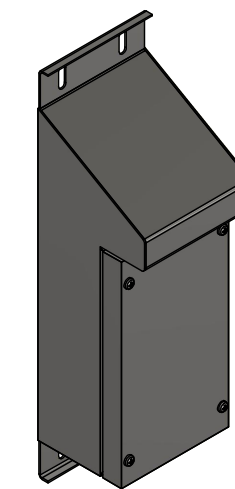
FRONT VIEW



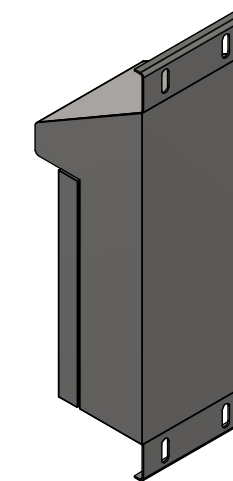
SECTION A-A



REAR VIEW



ISOMETRIC VIEW



REAR ISOMETRIC VIEW

A.E. Stainless Direct
P: 1300 533 292
A: 4/36 Devlan St, Mansfield QLD 4122
E: info@aestainlessdirect.com.au
W: aestainlessdirect.com.au

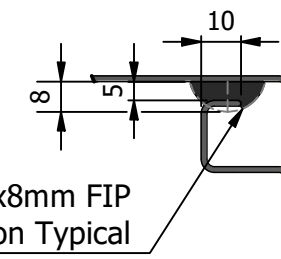
DRAWING NUMBER:

SS-SR-PBS-B3-221290

BILL OF MATERIALS

ITEM	QTY	DESCRIPTION	MATERIAL	THICKNESS
1	1	3D MODEL	SS316N4	1.5 mm
2	1	DOOR	SS316N4	1.5 mm
3	1	GEAR TRAY	GAL - Powder Coated White	2 mm
4	4	Pan head with type H or type Z cross recess. Product grade A	Stainless Steel, 440C	
5	4	Std M6 SS Nutsert	Stainless Steel	

Typical Poured Seal Detail
Poured in Place Polyurethane



ALL DIMENSIONS ARE IN MILLIMETRES.
UNLESS OTHERWISE SPECIFIED

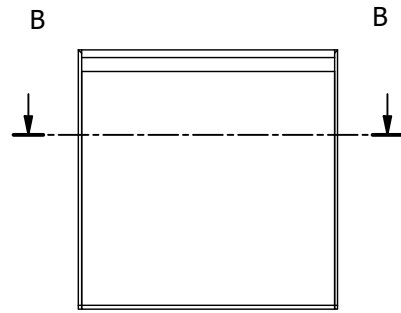
23/03/2021

DO NOT SCALE

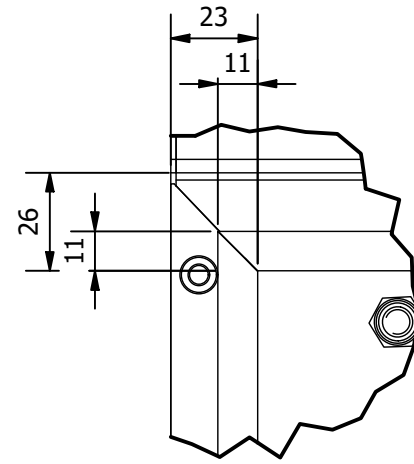
THIS DRAWING INFORMATION AND ALL TECHNICAL DATA
ENCLOSED HEREIN
IS THE PROPERTY OF A.E. STAINLESS DIRECT AND IS NOT TO BE
USED FOR REPRODUCTION, MANUFACTURE PROCUREMENT
DISCLOSURE TO
ANY PARTY WITHOUT THE WRITTEN CONSENT
OF A.E. STAINLESS DIRECT

1 OF 2

20x8mm FIP
3mm Decompression Typical

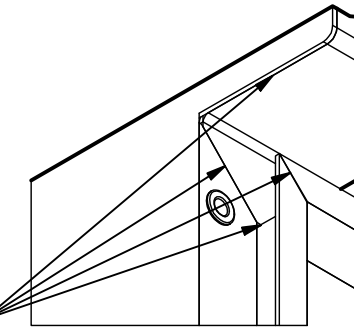


TOP VIEW

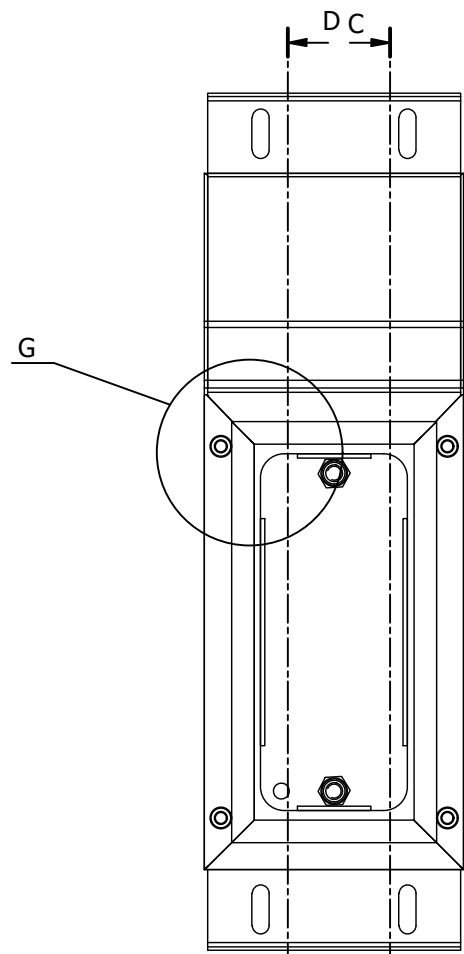


DETAIL G

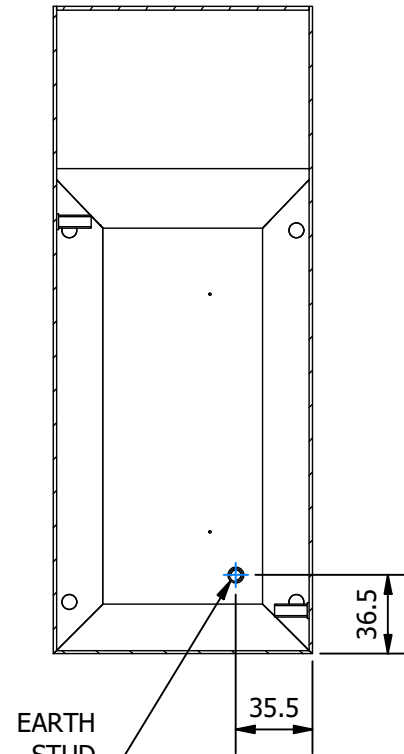
ALL SEAMS TO BE SEAL WELDED FULLY TO ENSURE IP66 RATING



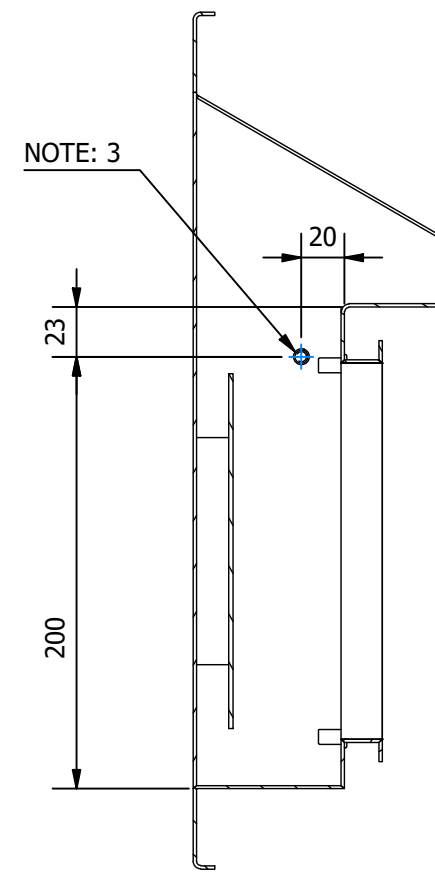
BOTTOM ISOMETRIC VIEW DETAIL G



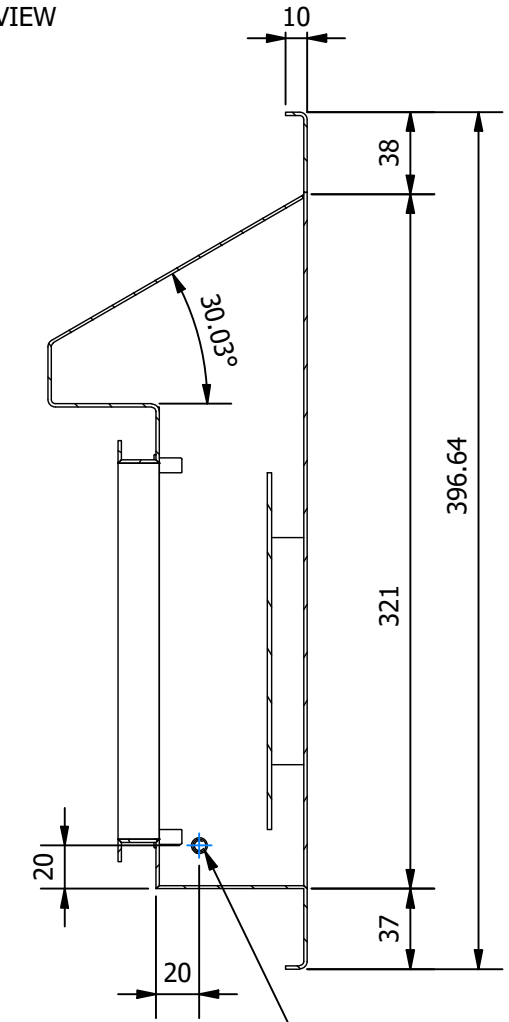
FRONT VIEW WITHOUT DOOR



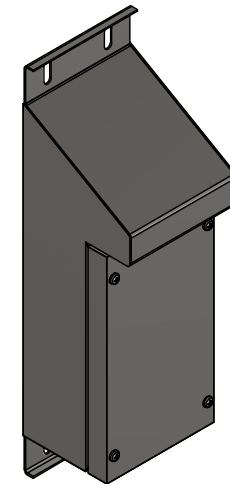
SECTION B-B



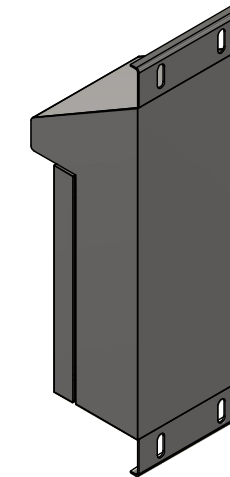
SECTION C-C



SECTION D-D




ISOMETRIC VIEW



REAR ISOMETRIC VIEW

Notes:

1. Door cam to always face up when lock is in the 'Open/Unlocked' position.
2. Earth stud for when door is in the 'normal' left hand hinged orientation.
3. Earth stud for when door is in the right hand hinged orientation.

 P: 1300 533 292 A: 4/36 Devlan St, Mansfield QLD 4122 E: info@aestainlessdirect.com.au W: aestainlessdirect.com.au	DRAWING NUMBER:
	SS-SR-PBS-B3-221290
ALL DIMENSIONS ARE IN MILLIMETRES. UNLESS OTHERWISE SPECIFIED DO NOT SCALE	23/03/2021
THIS DRAWING INFORMATION AND ALL TECHNICAL DATA ENCLOSED HEREIN IS THE PROPERTY OF A.E. STAINLESS DIRECT AND IS NOT TO BE USED FOR REPRODUCTION, MANUFACTURE PROCUREMENT DISCLOSURE TO ANY PARTY WITHOUT THE WRITTEN CONSENT OF A.E. STAINLESS DIRECT	2 OF 2