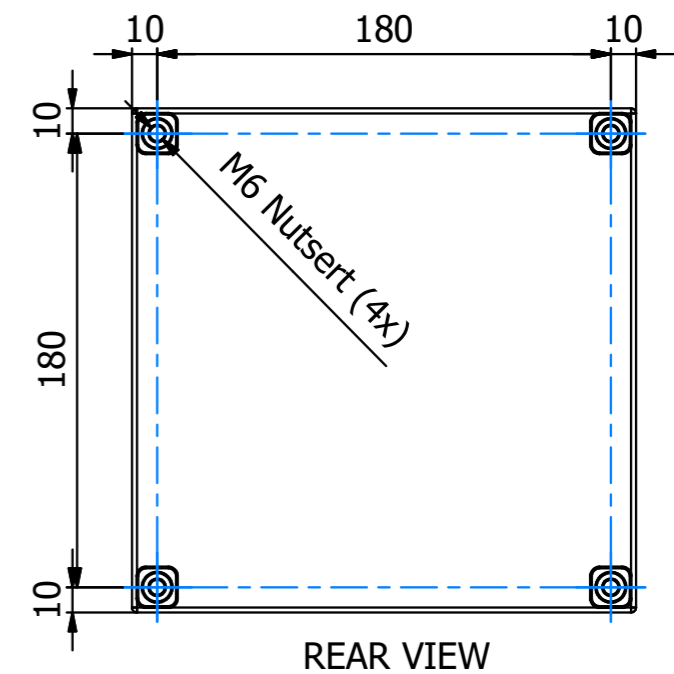
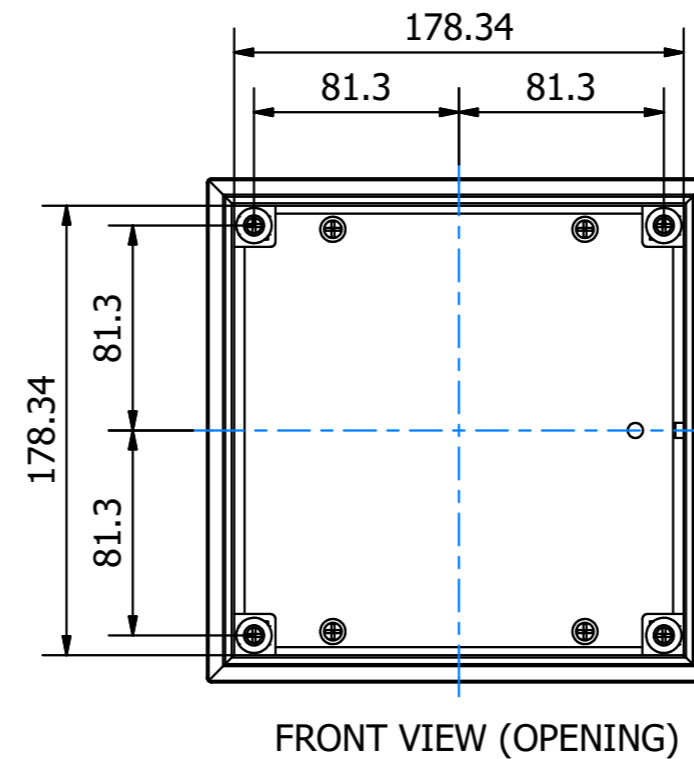
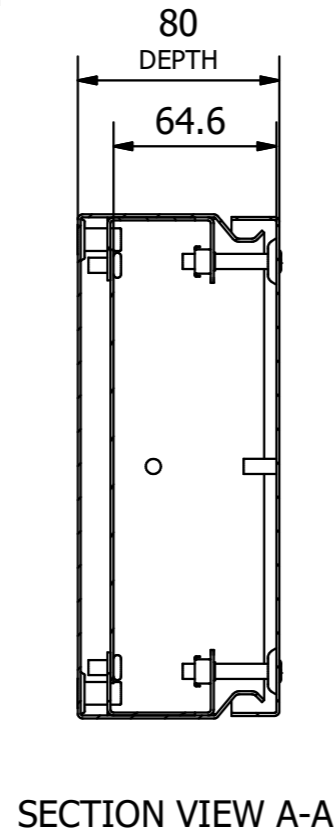
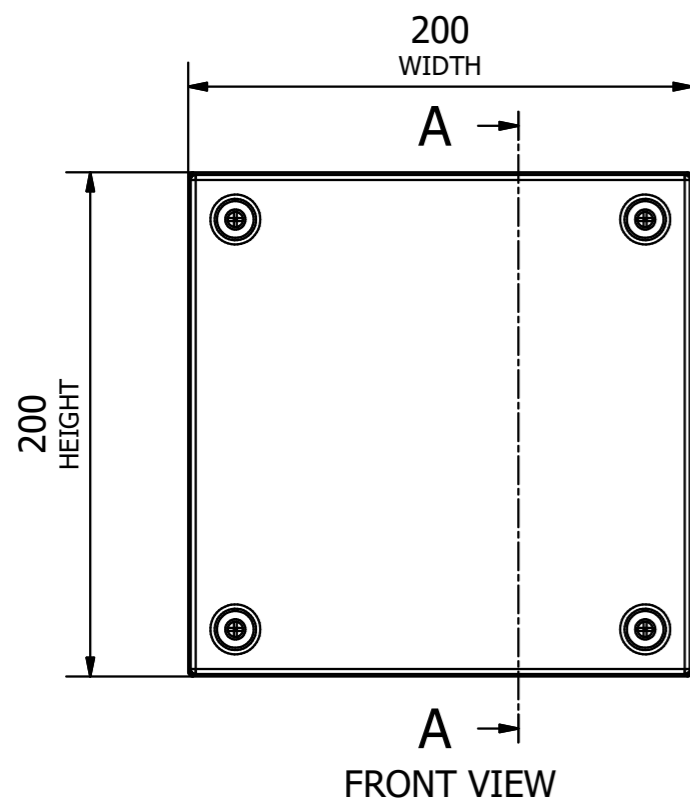
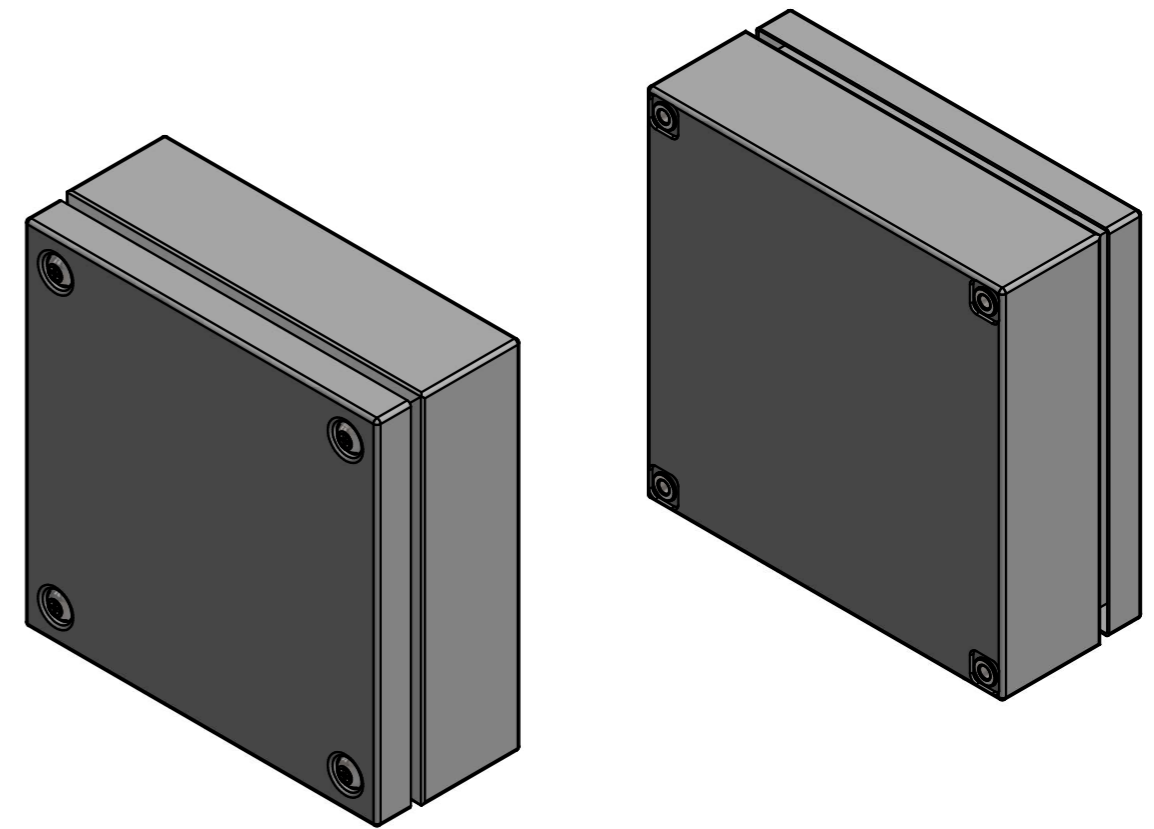
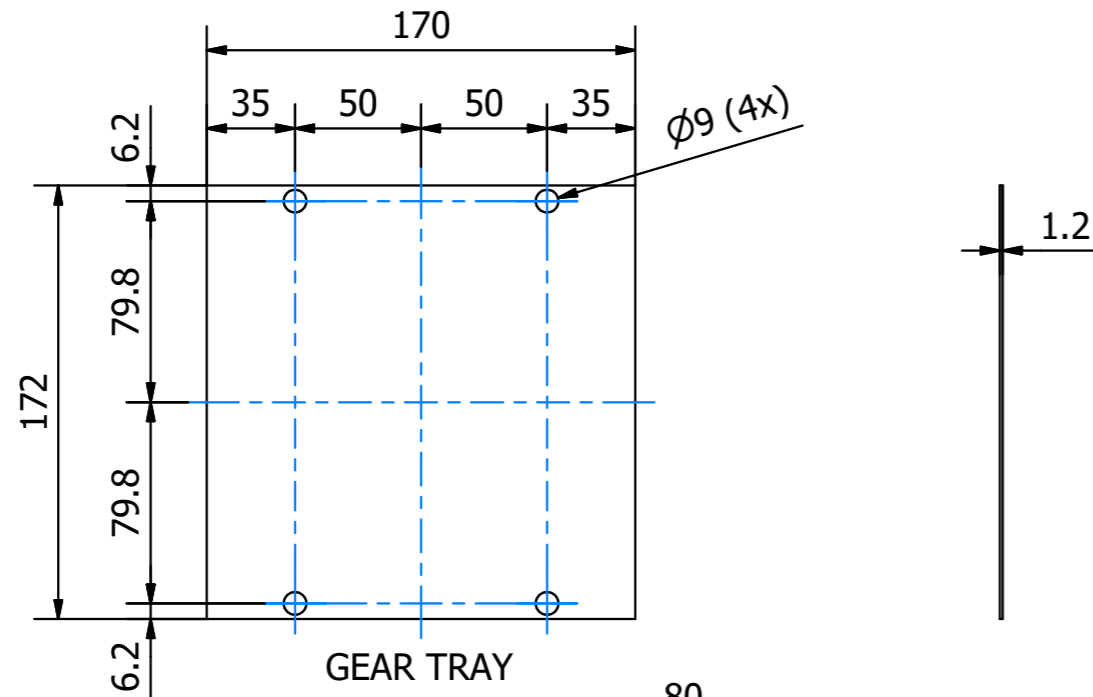


# TERMINAL BOX (STANDARD)

## SIZE - 200X200X80



**A.E. Stainless Direct**  
P: 1300 533 292  
A: 4/36 Devlan St, Mansfield QLD 4122  
E: info@aestainlessdirect.com.au  
W: aestainlessdirect.com.au

**ALL DIMENSIONS ARE IN MILLIMETRES.**  
UNLESS OTHERWISE SPECIFIED  
TOLERANCES:  
GENERAL: ± 0.5 HOLE CRS: ± 0.2  
HOLE Ø: ± 0.1 ANGLE: ± 0.5°  
CORNER RADS = MATERIAL THICKNESS

CLIENT: **A.E. Stainless Direct**  
DRAWING TITLE: **TB 200X200X80**  
MATERIAL: **1.2mm 316 Stainless Steel**  
FINISH:  
INGRESS PROTECTION RATING: **IP66**

REV	DATE	DRN	CHK	DESCRIPTION

**DO NOT SCALE**  
THIS DRAWING INFORMATION AND ALL TECHNICAL DATA ENCLOSED HEREIN IS THE PROPERTY OF A.E. STAINLESS DIRECT AND IS NOT TO BE USED FOR REPRODUCTION, MANUFACTURE PROCUREMENT DISCLOSURE TO ANY PARTY WITHOUT THE WRITTEN CONSENT OF A.E. STAINLESS DIRECT

SURFACE AREA: 428404.661 mm<sup>2</sup>

DRAWN: C.H.  
CHECKED: LIZE  
DESIGN APPROVAL:  
PROJECT APPROVAL:

DRAWING NUMBER: **TB 200X200X80**  
REVISION:  
SCALE: 1 : 3  
SIZE: A3  
SHEET NUMBER: 1 OF 1