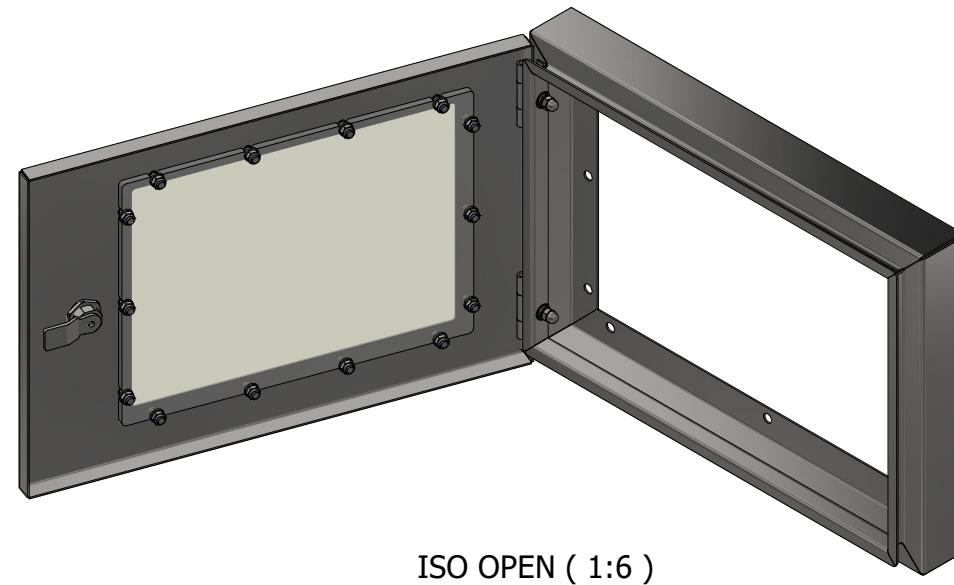
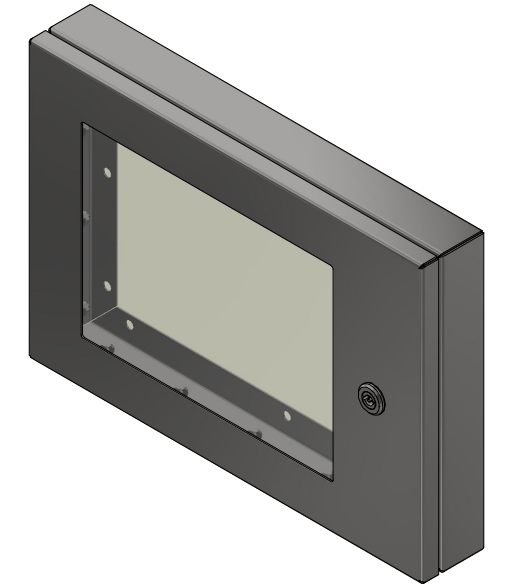


BILL OF MATERIALS

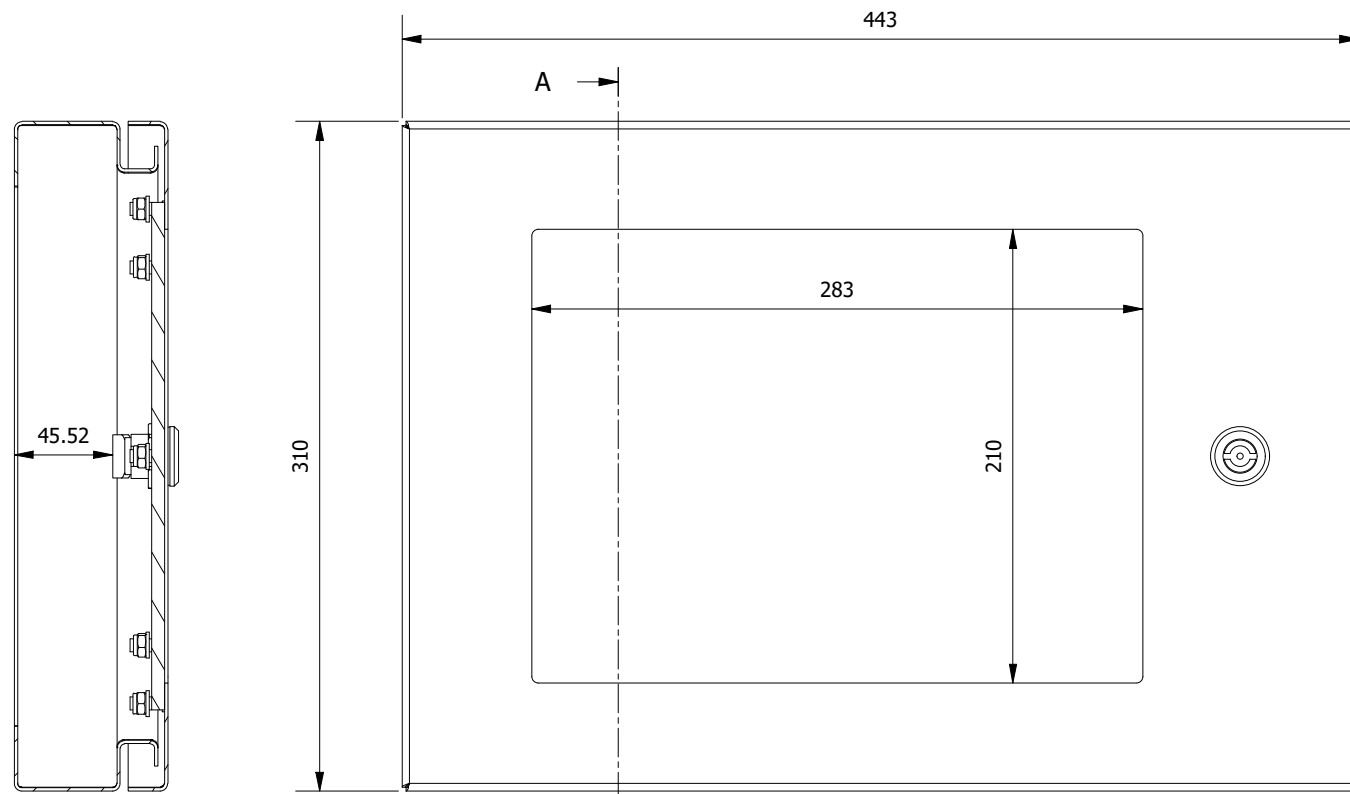
ITEM	QTY	PART NUMBER	DESCRIPTION	MATERIAL	THICKNESS
1	1	SS-HMI-IP66-10W.003	HMI IP66 WINDOW FRAME	SS316N4	1.500 mm
2	1	SS-HMI-IP66-10W.001	HMI IP66 WINDOW FRAME	SS316N4	1.500 mm
3	1	SS-HMI-IP66-10W.004	HMI IP66 WINDOW FRAME	SS316N4	1.500 mm
4	1	SS-HMI-IP66-10W.002	HMI IP66 WINDOW FRAME	SS316N4	1.500 mm
5	1	SS-HMI-IP66-10W.005	HMI IP66 WINDOW DOOR	SS316N4	1.500 mm
6	2	Internal Hinge Assembly	Internal Door Hinge Assembly		
7	1	SS-HMI-IP66-10W.006	Polycarb Window	POLYCARB	6.000 mm
8	1	SSLock-2bit	STD 2 Bit Lock		
9	14	M6x16-CD Stud	M6x16 WELD STUD	Stainless Steel	
10	14	M6 Hex Nyloc	M6 Hex Nyloc	Stainless Steel	
11	2	M6x16 Phillips	M6x16 Phillips C/Sink	Stainless Steel	
12	2	M6 Sealing Washer		Nylon 6/6	
13	16	M6 Washer	M6 Washer	Stainless Steel	
14	2	M6 Spring Washer SS	M6 Spring Washer	Stainless Steel	
15	2	DIN 1587 - M6	Hexagon Domed Cap Nuts	Stainless Steel	



ISO OPEN (1:6)

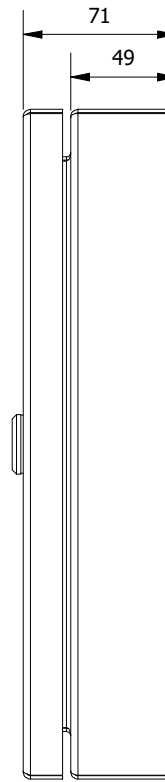


ISO CLOSED (1:6)

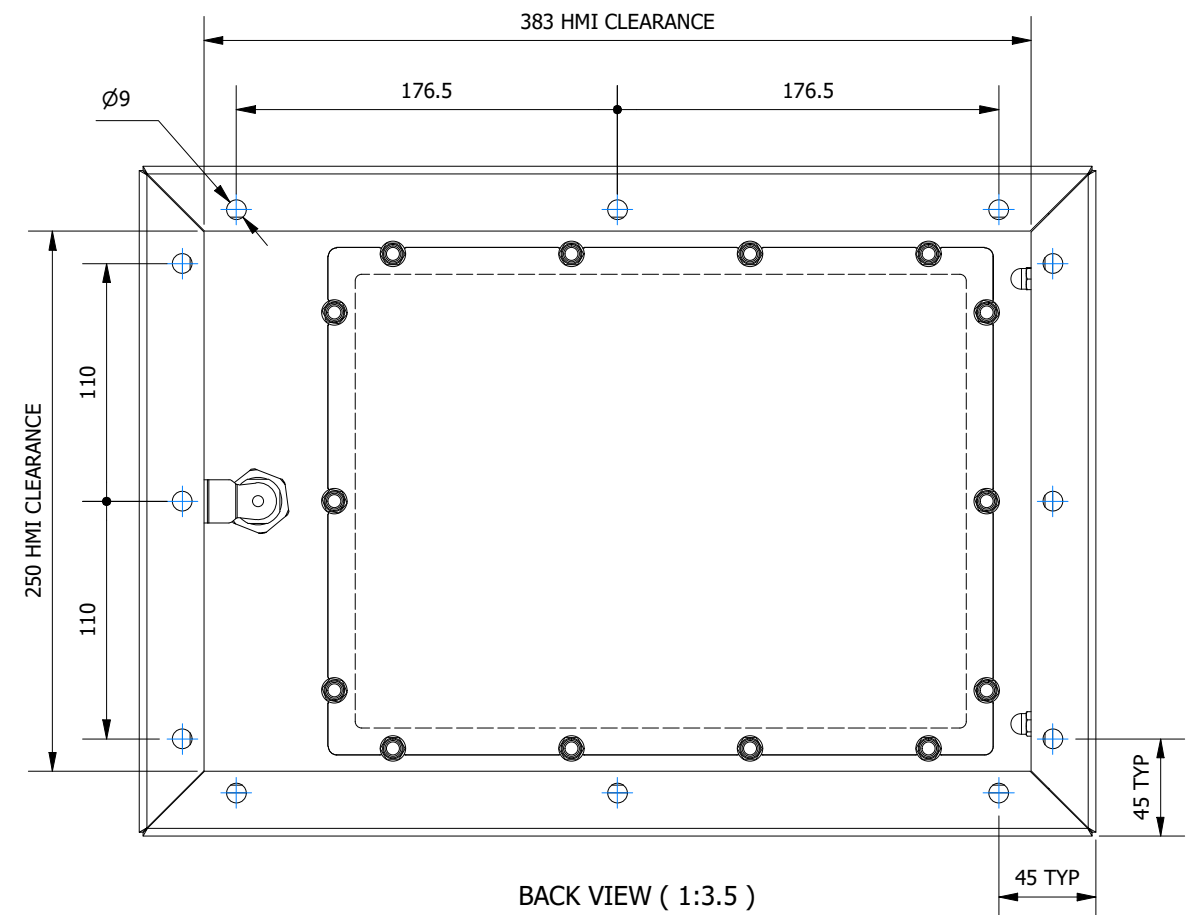


A-A (1:3.5)

FRONT VIEW (1:3.5)



SIDE VIEW (1:3.5)



BACK VIEW (1:3.5)

A.E. Stainless Direct
 P: 1300 533 292
 A: 4/36 Devlan St, Mansfield QLD 4122
 E: info@aestainlessdirect.com.au
 W: aestainlessdirect.com.au

ALL DIMENSIONS ARE IN MILLIMETRES.
 UNLESS OTHERWISE SPECIFIED
 TOLERANCES:
 GENERAL: ± 0.5 HOLE CRS: ± 0.2
 HOLE Ø: ± 0.1 ANGLE: ± 0.5°
 CORNER RADS = MATERIAL THICKNESS

CLIENT: **AE STAINLESS DIRECT**
 DRAWING TITLE: **SS-HMI-IP66-10W**

MATERIAL: _____ THICKNESS: _____
 FINISH: _____
 INGRESS PROTECTION RATING: _____

REV	DATE	DRN	CHK	DESCRIPTION

DO NOT SCALE
 THIS DRAWING INFORMATION AND ALL TECHNICAL DATA ENCLOSED HEREIN IS THE PROPERTY OF A.E. STAINLESS DIRECT AND IS NOT TO BE USED FOR REPRODUCTION, MANUFACTURE PROCUREMENT DISCLOSURE TO ANY PARTY WITHOUT THE WRITTEN CONSENT OF A.E. STAINLESS DIRECT

SURFACE AREA 747448.563 mm²

DRAWN: JG 9/12/2020
 CHECKED:
 DESIGN APPROVAL:
 PROJECT APPROVAL:

DRAWING NUMBER: **SS-HMI-IP66-10W.iam**
 REVISION:
 SCALE: 1:3.5
 SIZE: A3
 SHEET NUMBER: 1 OF 1