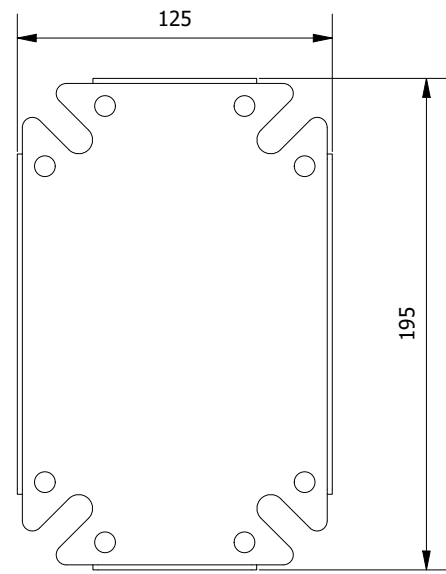
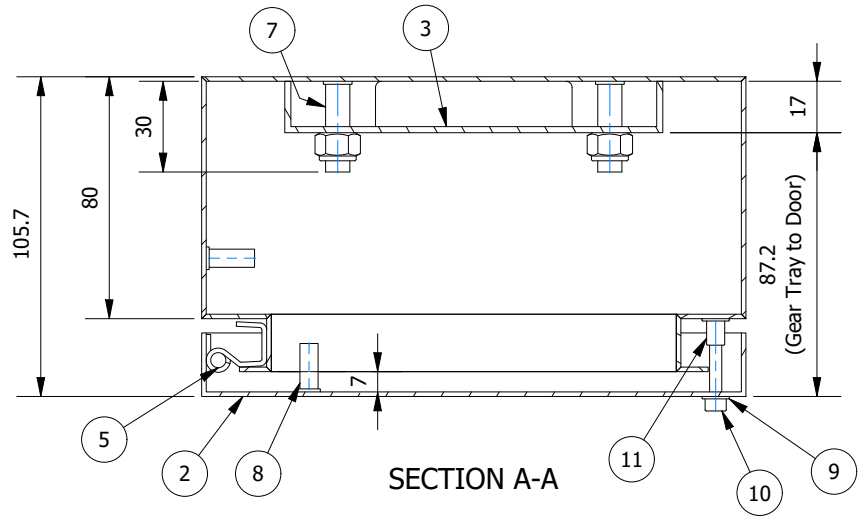


ISOMETRIC VIEW



GEAR TRAY



SECTION A-A

**A.E. Stainless Direct**  
 P: 1300 533 292  
 A: 4/36 Devlan St, Mansfield QLD 4122  
 E: info@aestainlessdirect.com.au  
 W: aestainlessdirect.com.au

DRAWING NUMBER:  
**SS-BOLTED-250x180x100**

ALL DIMENSIONS ARE IN MILLIMETRES.  
 UNLESS OTHERWISE SPECIFIED  
**DO NOT SCALE**

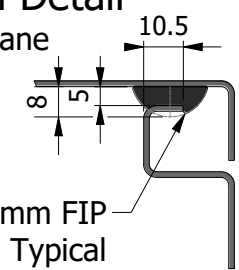
24/11/2021

THIS DRAWING INFORMATION AND ALL TECHNICAL DATA ENCLOSED HEREIN IS THE PROPERTY OF A.E. STAINLESS DIRECT AND IS NOT TO BE USED FOR REPRODUCTION, MANUFACTURE PROCUREMENT DISCLOSURE TO ANY PARTY WITHOUT THE WRITTEN CONSENT OF A.E. STAINLESS DIRECT

1 OF 2

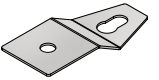
BILL OF MATERIALS				
ITEM	QTY	PART NUMBER	MATERIAL	THICKNESS
1	1	SS-Boltd-250x180x100	SS316N4	1.500 mm
2	1	SS-Boltd-250x180x100 - Door	SS316N4	1.500 mm
3	1	SS-Boltd-250x180x100 - Gear Tray	SS316N4	1.500 mm
4	4	WALL MOUNTED BRACKTS	SS316N4	1.500mm
5	2	Internal Hinge Assembly		
6	4	M8 Hex Nyloc	Stainless Steel	
7	4	M8x30-CD Stud	Stainless Steel	
8	3	M6x16-CD Stud	Stainless Steel	
9	2	M4 Washer	Stainless Steel	1.500 mm
10	2	M4x25 Cap Screw Hex	SS316N4	1.500 mm
11	2	M4 Nutsert	Stainless Steel	

Typical Poured Seal Detail  
 Poured in Place Polyurethane

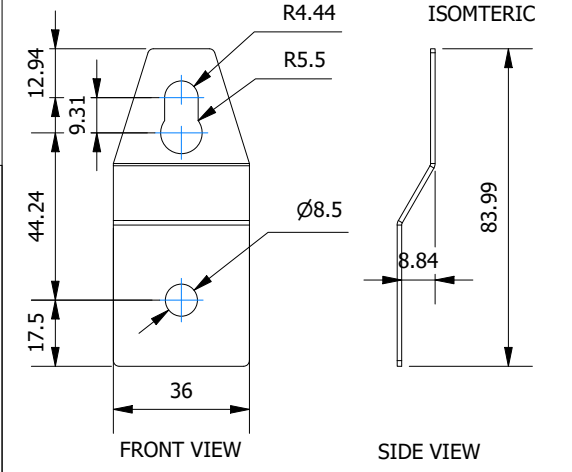


20x8mm FIP  
 3mm Decompression Typical

Wall Mount Bracket

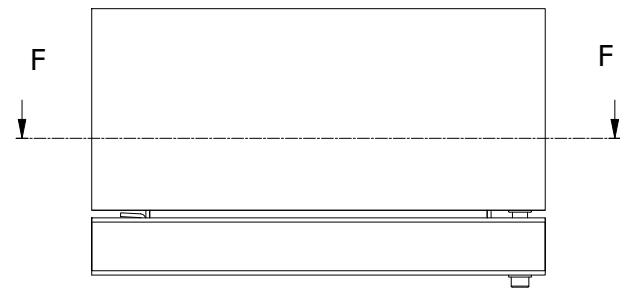


ISOMTERIC

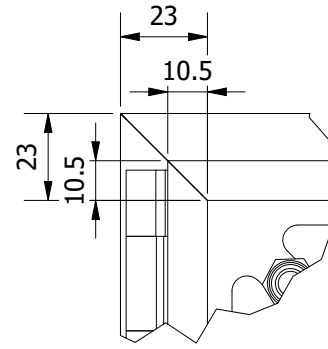


FRONT VIEW

SIDE VIEW

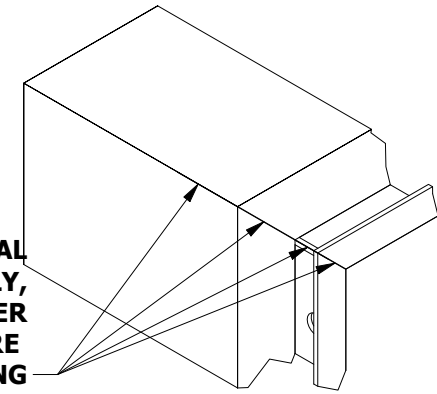


TOP VIEW

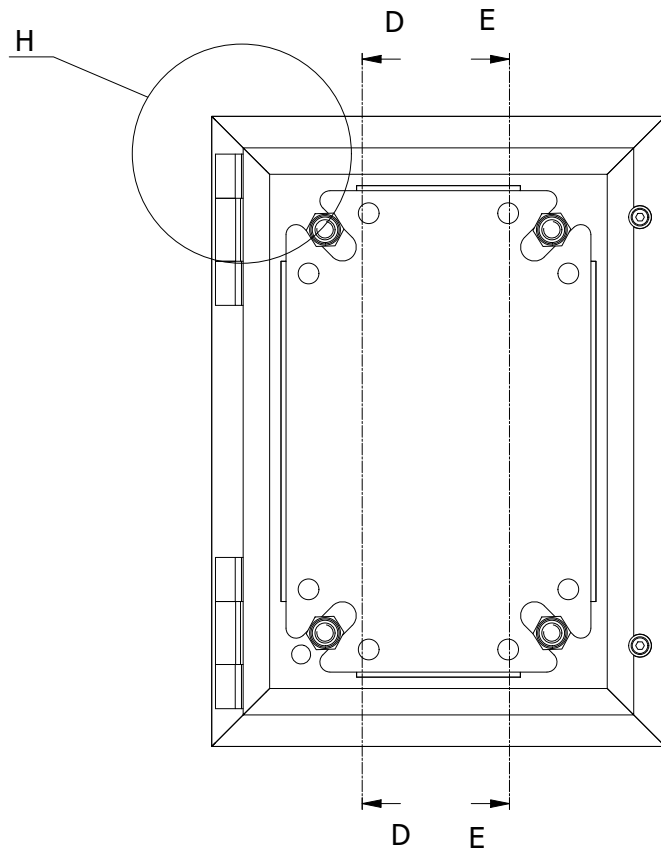


DETAIL H

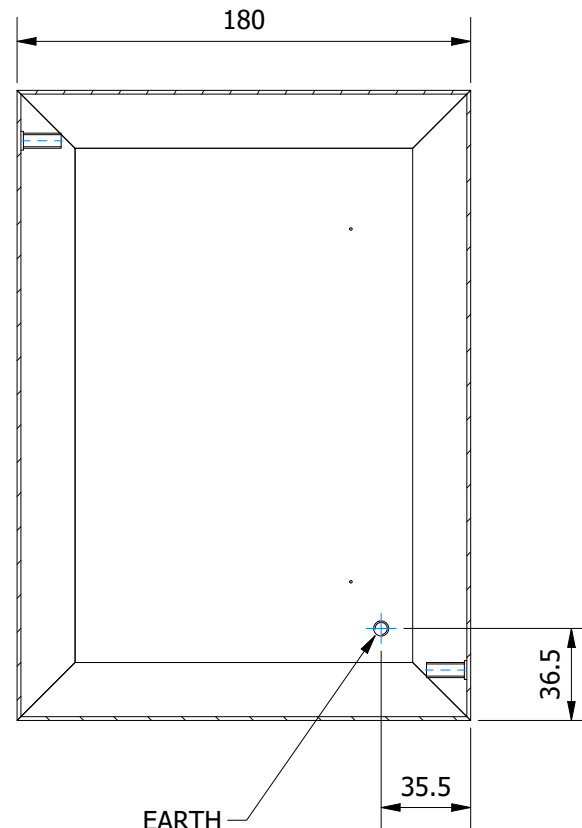
ALL SEAMS TO BE SEAL WELDED FULLY, PRIOR TO POWDER COATING, TO ENSURE IP66 RATING



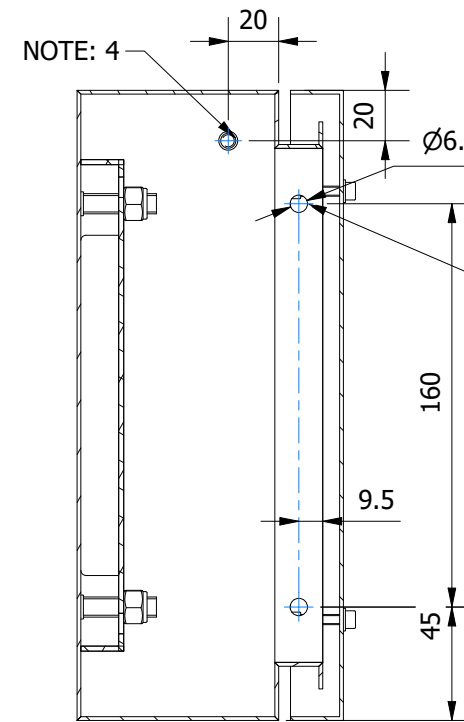
ISOMETRIC VIEW (DETAIL G)



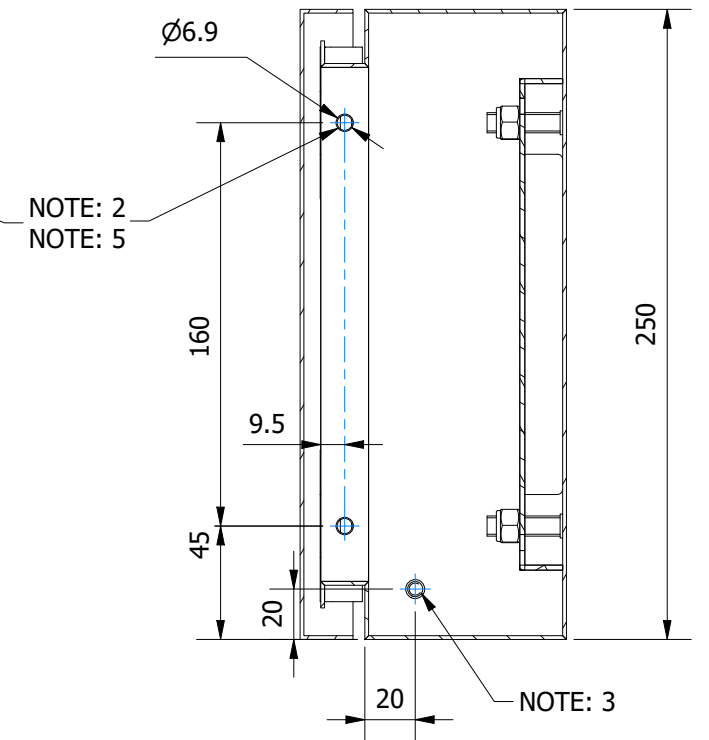
FRONT VIEW WITHOUT DOOR



SECTION F-F



SECTION E-E



SECTION D-D

P: 1300 533 292  
A: 4/36 Devlan St, Mansfield QLD 4122  
E: info@aestainlessdirect.com.au  
W: aestainlessdirect.com.au

DRAWING NUMBER:  
**SS-BOLTED-250x180x100**

ALL DIMENSIONS ARE IN MILLIMETRES.  
UNLESS OTHERWISE SPECIFIED  
**DO NOT SCALE**

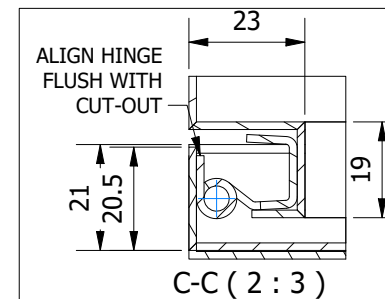
24/11/2021

THIS DRAWING INFORMATION AND ALL TECHNICAL DATA ENCLOSED HEREIN IS THE PROPERTY OF A.E. STAINLESS DIRECT AND IS NOT TO BE USED FOR REPRODUCTION, MANUFACTURE PROCUREMENT DISCLOSURE TO ANY PARTY WITHOUT THE WRITTEN CONSENT OF A.E. STAINLESS DIRECT

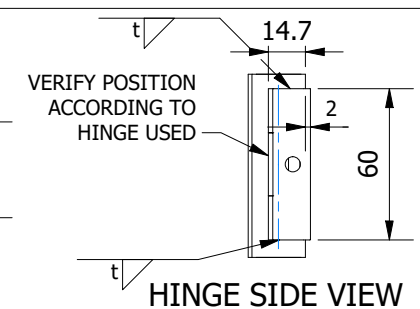
2 OF 2

**Notes:**

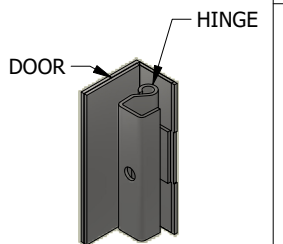
1. Door cam to always face up when lock is in the 'Open/Ulocked' position.
2. Holes for door hinges to be on both sides to allow for left and right hinged door orientation.
3. Earth stud for when door is in the 'normal' left hand hinged orientation.
4. Earth stud for when door is in the right hand hinged orientation.
5. Open hinge holes to be fitted with same bolts as used on hinges, with added plastic washer on inside.



C-C (2 : 3)



HINGE SIDE VIEW



ISOMETRIC VIEW