

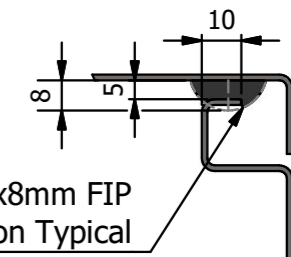
A.E. Stainless Direct
 P: 1300 533 292
 A: 4/36 Devlan St, Mansfield QLD 4122
 E: info@aestainlessdirect.com.au
 W: aestainlessdirect.com.au

DRAWING NUMBER:
SS-SRE-1000x600x250

BILL OF MATERIALS

ITEM	QTY	DESCRIPTION	MATERIAL	THICKNESS
1	1	3D MODEL	SS316N4	1.5 mm
2	1	DOOR	SS316N4	1.5 mm
3	1	GEAR TRAY	GAL - Powder Coated White	2 mm
4	2	Z-BRACKET	GAL - Powder Coated White	1.5 mm
5		GLAND PLATE (OPTIONAL)	BR, AL or SS	

Typical Poured Seal Detail
 Poured in Place Polyurethane



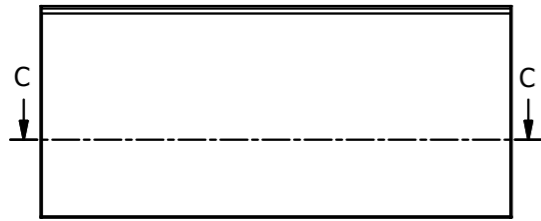
ALL DIMENSIONS ARE IN MILLIMETRES.
 UNLESS OTHERWISE SPECIFIED

DO NOT SCALE

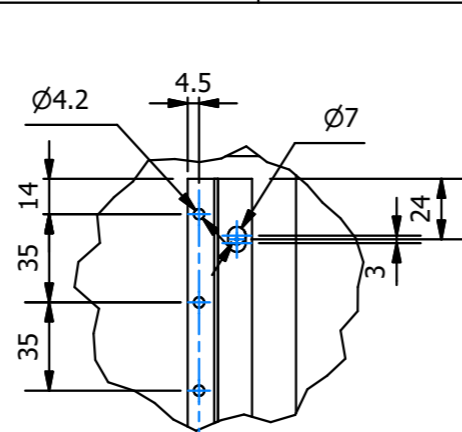
THIS DRAWING INFORMATION AND ALL TECHNICAL DATA ENCLOSED HEREIN IS THE PROPERTY OF A.E. STAINLESS DIRECT AND IS NOT TO BE USED FOR REPRODUCTION, MANUFACTURE PROCUREMENT DISCLOSURE TO ANY PARTY WITHOUT THE WRITTEN CONSENT OF A.E. STAINLESS DIRECT

6/07/2021

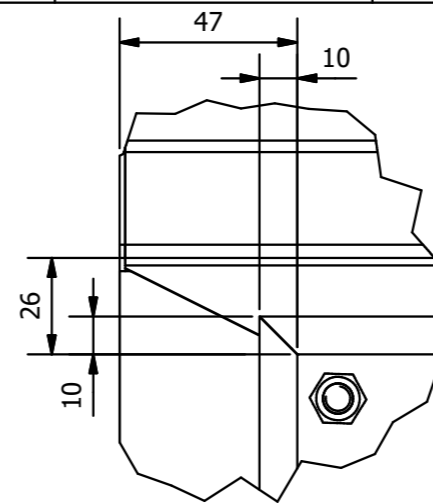
1 OF 2



TOP VIEW

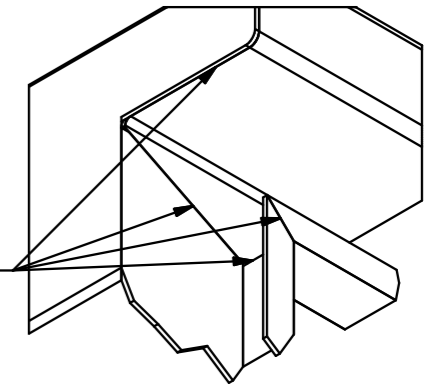


DETAIL F

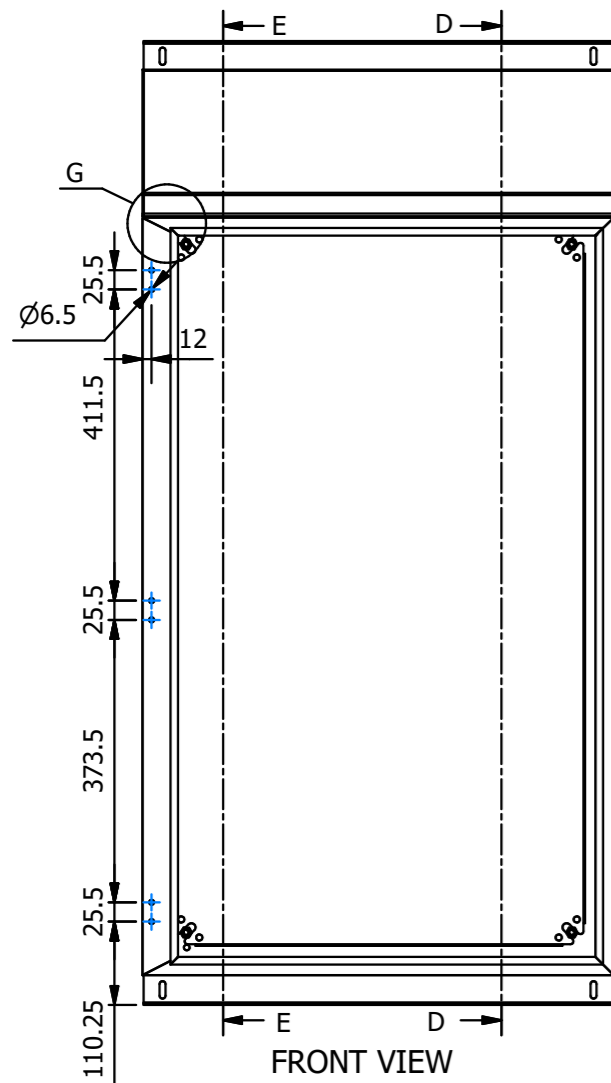


DETAIL G

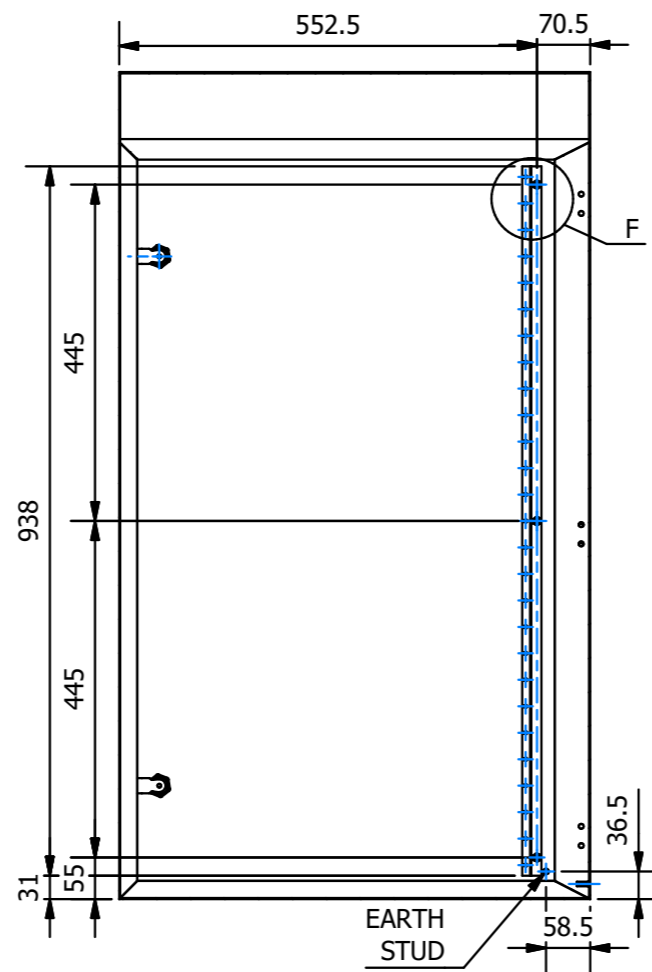
ALL SEAMS TO BE SEAL WELDED FULLY TO ENSURE IP66 RATING



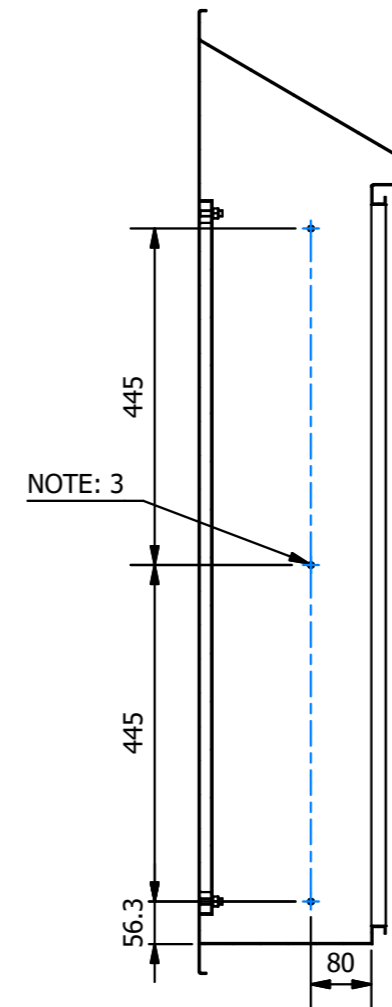
BOTTOM ISOMETRIC VIEW
DETAIL G



FRONT VIEW
WITHOUT DOOR

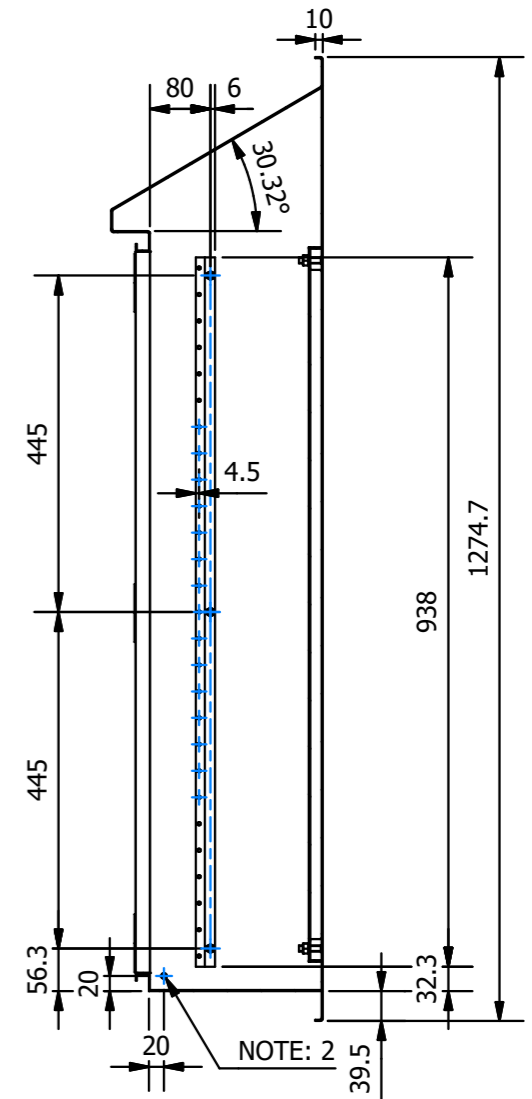


SECTION C-C



SECTION D-D

NOTE: 3



SECTION E-E

NOTE: 2

Notes:

1. Door cam to always face up when lock is in the 'Open/Unlocked' position.
2. Earth stud
3. Studs for Z-Bracket/inner door.

A.E. Stainless Direct
P: 1300 533 292
A: 4/36 Devlan St, Mansfield QLD 4122
E: info@aestainlessdirect.com.au
W: aestainlessdirect.com.au

DRAWING NUMBER:
SS-SRE-1000x600x250

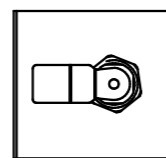
ALL DIMENSIONS ARE IN MILLIMETRES.
UNLESS OTHERWISE SPECIFIED

DO NOT SCALE

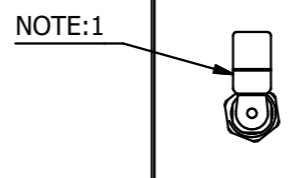
THIS DRAWING INFORMATION AND ALL TECHNICAL DATA
ENCLOSED HEREIN
IS THE PROPERTY OF A.E. STAINLESS DIRECT AND IS NOT TO BE
USED FOR REPRODUCTION, MANUFACTURE PROCUREMENT
DISCLOSURE TO
ANY PARTY WITHOUT THE WRITTEN CONSENT
OF A.E. STAINLESS DIRECT

6/07/2021

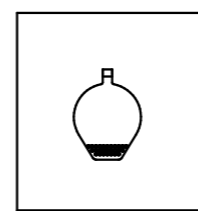
2 OF 2



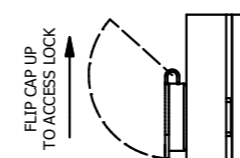
BACK OF LOCK
(LOCKED POSITION)



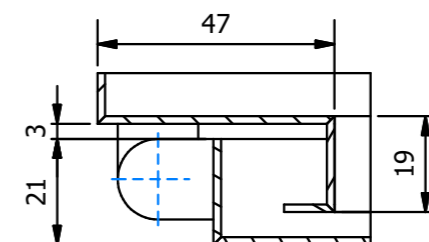
BACK OF LOCK
(UNLOCKED POSITION)



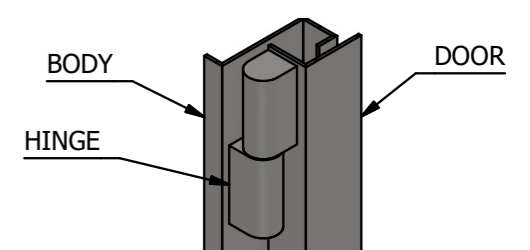
FRONT VIEW



SIDE VIEW



DOOR HINGE SECTION



ISOMETRIC VIEW