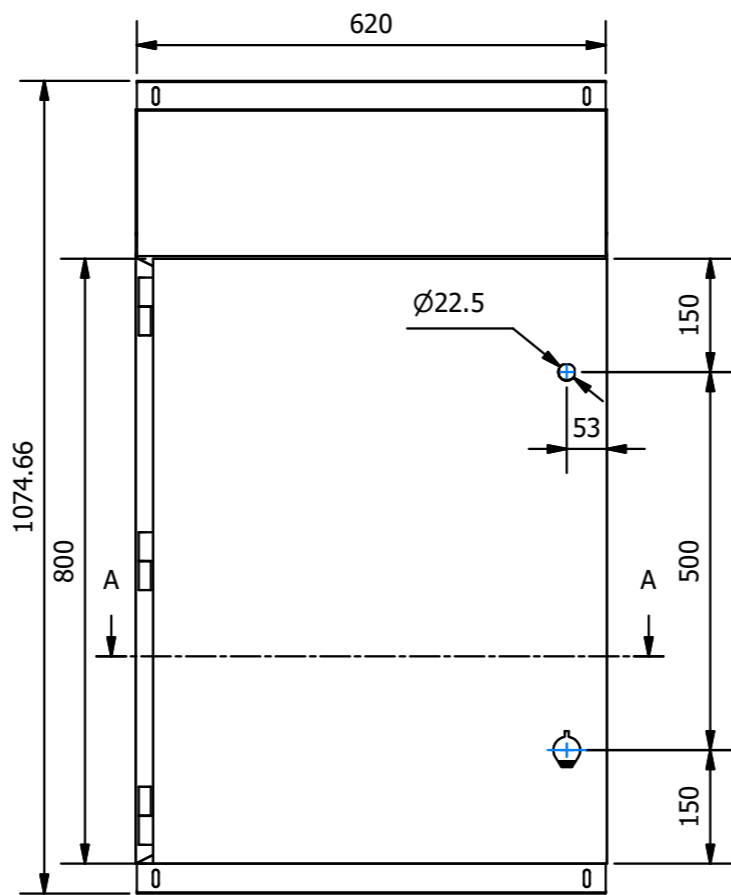
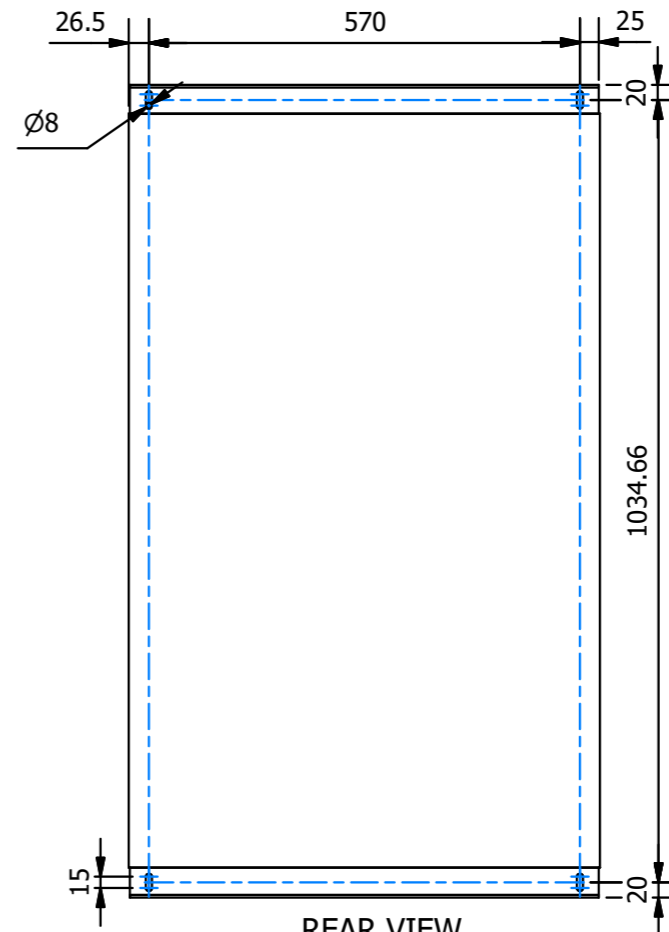


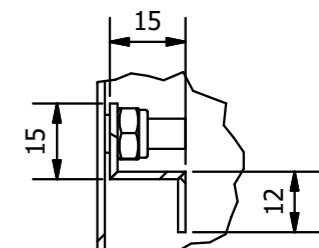
FRONT VIEW  
WITHOUT DOOR



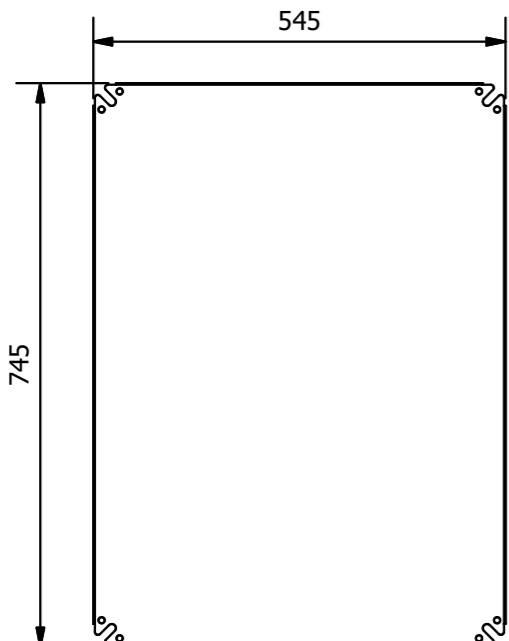
FRONT VIEW



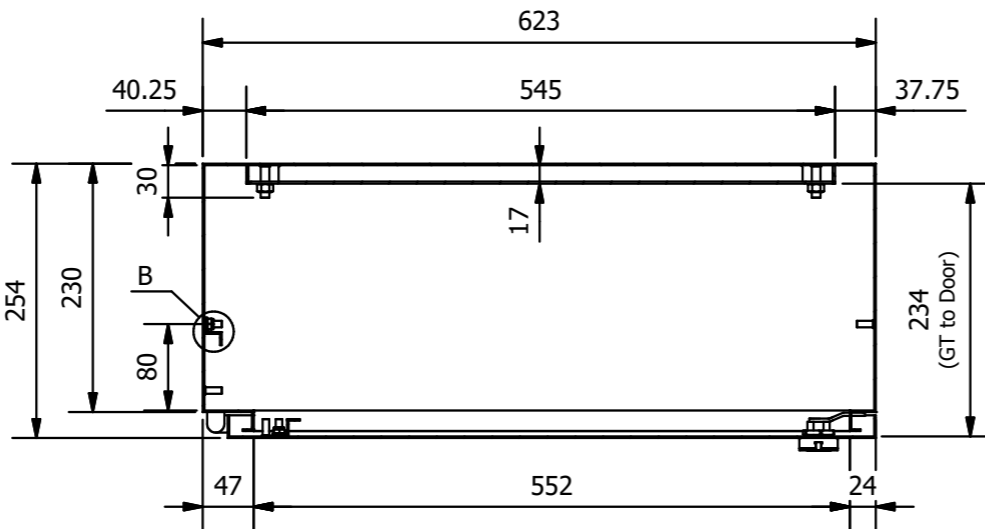
REAR VIEW



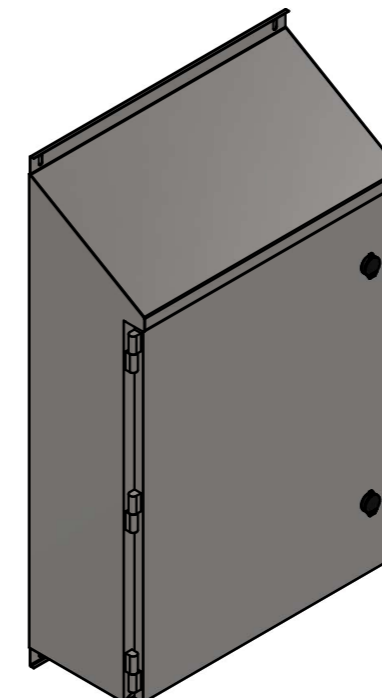
DETAIL B



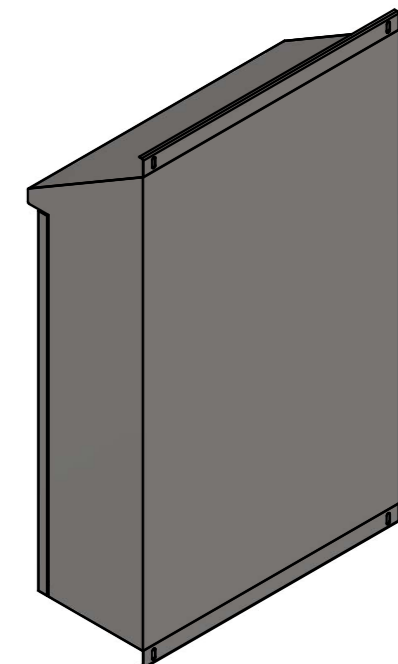
GEAR TRAY



SECTION A-A



ISOMETRIC VIEW



REAR ISOMETRIC VIEW

**A.E. Stainless Direct**  
 P: 1300 533 292  
 A: 4/36 Devlan St, Mansfield QLD 4122  
 E: info@aestainlessdirect.com.au  
 W: aestainlessdirect.com.au

DRAWING NUMBER:  
**SS-SRE-800x600x250**

BILL OF MATERIALS				
ITEM	QTY	DESCRIPTION	MATERIAL	THICKNESS
1	1	3D MODEL	SS316N4	1.5 mm
2	1	DOOR	SS316N4	1.5 mm
3	1	GEAR TRAY	GAL - Powder Coated White	2 mm
4	2	Z-BRACKET	GAL - Powder Coated White	1.5 mm
5		GLAND PLATE (OPTIONAL)	BR, AL or SS	

ALL DIMENSIONS ARE IN MILLIMETRES.  
 UNLESS OTHERWISE SPECIFIED

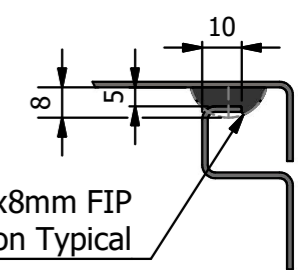
**DO NOT SCALE**

THIS DRAWING INFORMATION AND ALL TECHNICAL DATA ENCLOSED HEREIN IS THE PROPERTY OF A.E. STAINLESS DIRECT AND IS NOT TO BE USED FOR REPRODUCTION, MANUFACTURE PROCUREMENT DISCLOSURE TO ANY PARTY WITHOUT THE WRITTEN CONSENT OF A.E. STAINLESS DIRECT

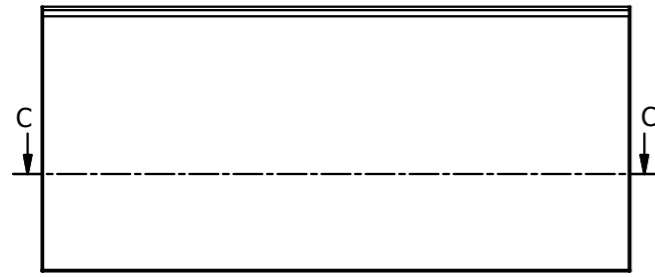
26/03/2021

1 OF 2

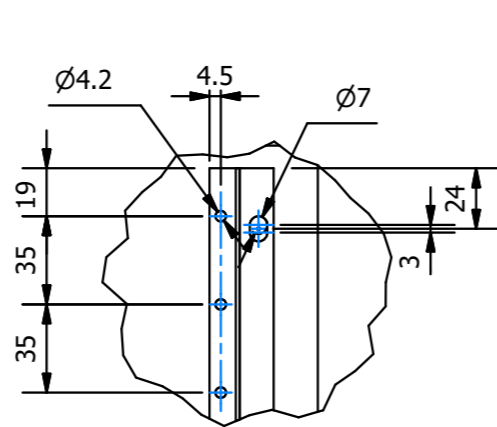
**Typical Poured Seal Detail**  
 Poured in Place Polyurethane



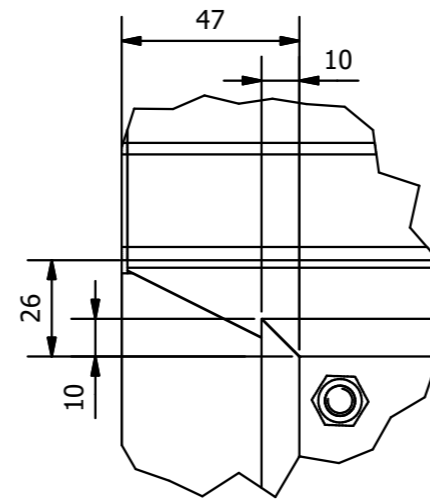
20x8mm FIP  
 3mm Decompression Typical



TOP VIEW

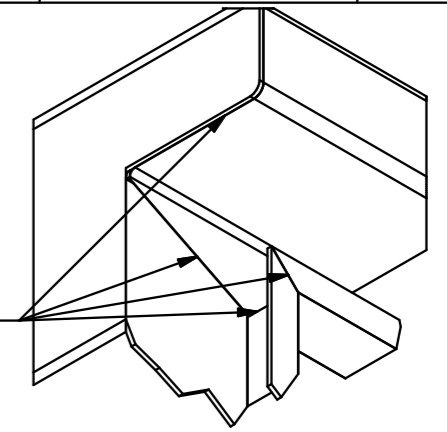


DETAIL F

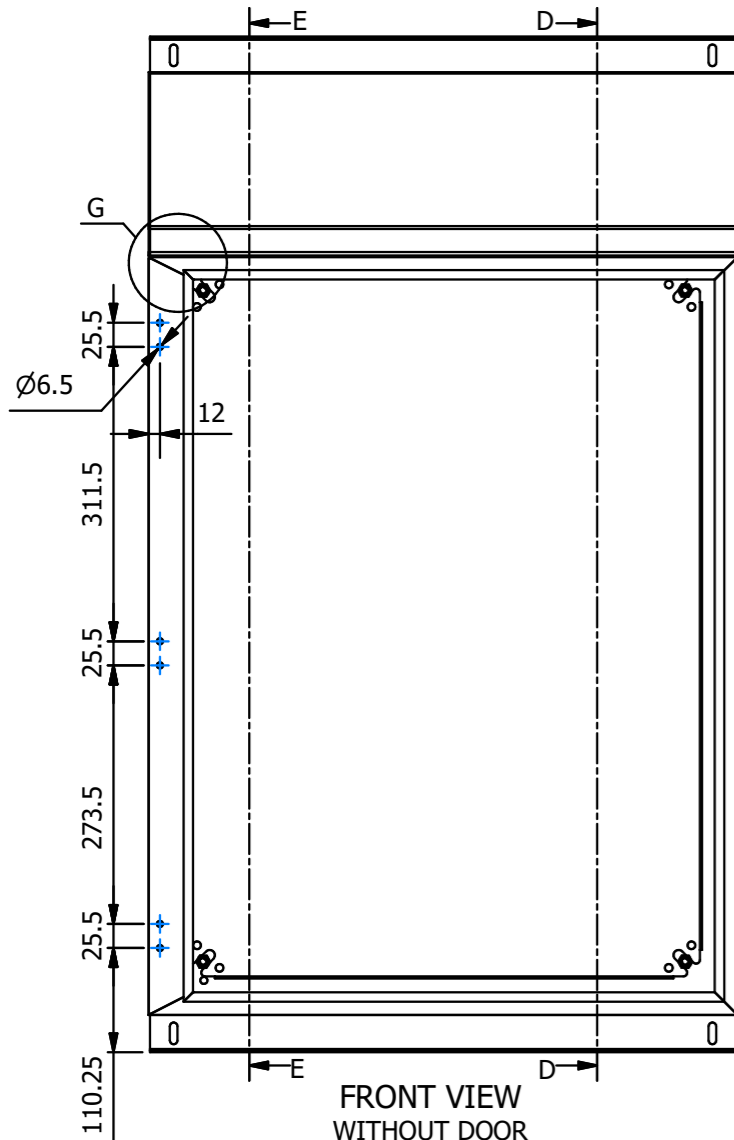


DETAIL G

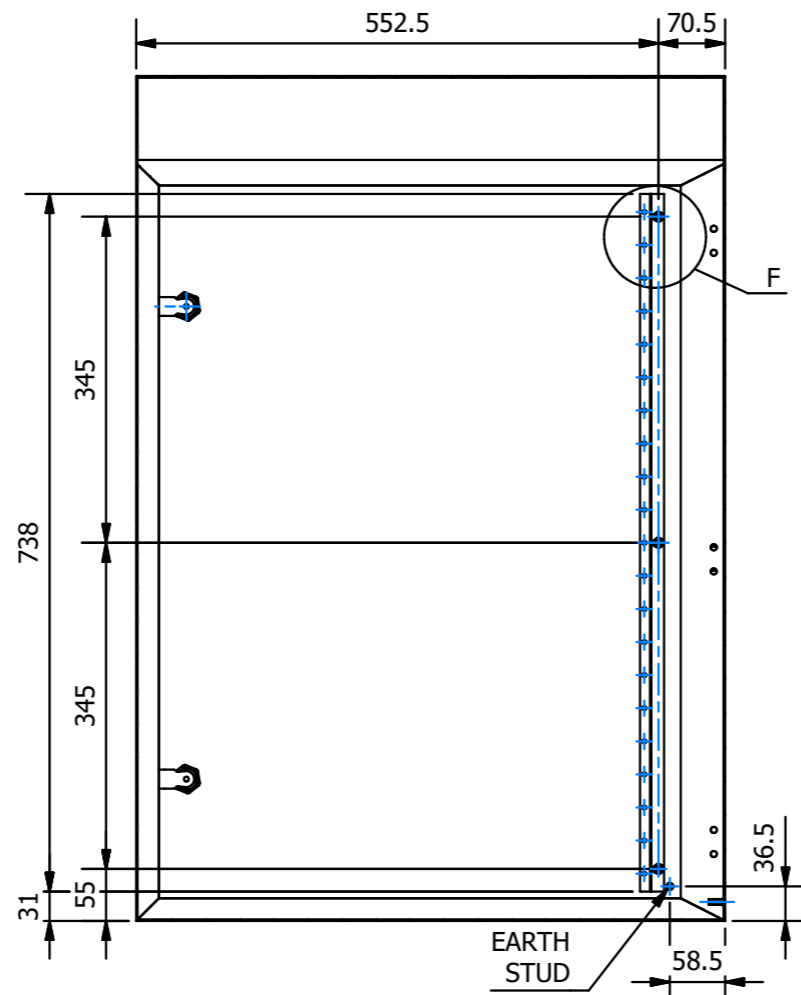
ALL SEAMS TO BE SEAL WELDED FULLY TO ENSURE IP66 RATING



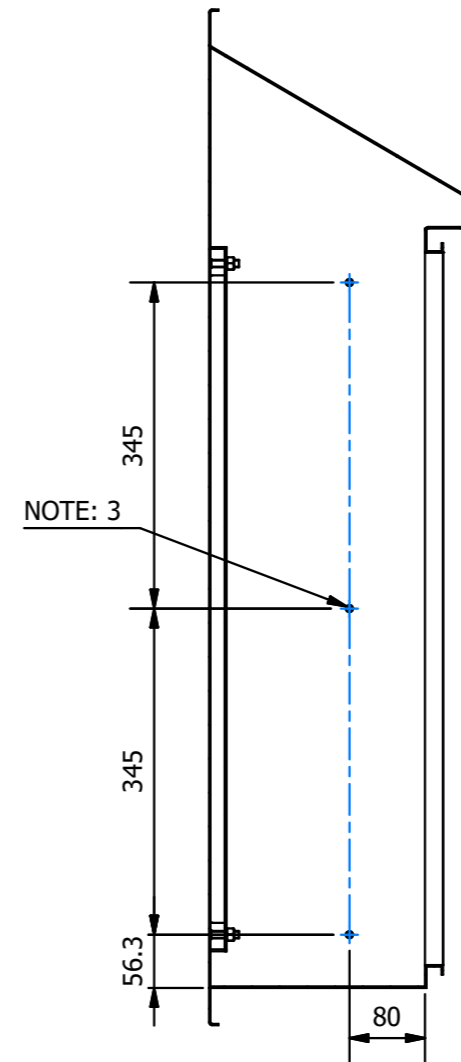
BOTTOM ISOMETRIC VIEW DETAIL G



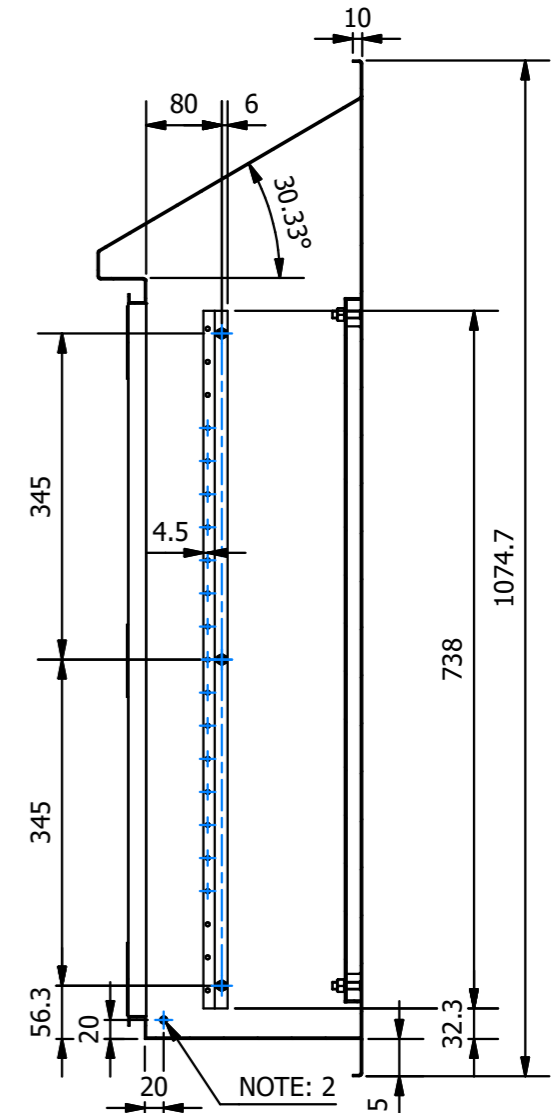
FRONT VIEW WITHOUT DOOR



SECTION C-C



SECTION D-D



SECTION E-E

- Notes:**
1. Door cam to always face up when lock is in the 'Open/Unlocked' position.
  2. Earth stud
  3. Studs for Z-Bracket/inner door.

**A.E. Stainless Direct**  
 P: 1300 533 292  
 A: 4/36 Devlan St, Mansfield QLD 4122  
 E: info@aestainlessdirect.com.au  
 W: aestainlessdirect.com.au

ALL DIMENSIONS ARE IN MILLIMETRES.  
 UNLESS OTHERWISE SPECIFIED

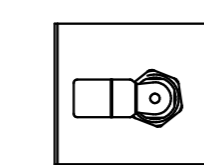
**DO NOT SCALE**

THIS DRAWING INFORMATION AND ALL TECHNICAL DATA ENCLOSED HEREIN IS THE PROPERTY OF A.E. STAINLESS DIRECT AND IS NOT TO BE USED FOR REPRODUCTION, MANUFACTURE PROCUREMENT DISCLOSURE TO ANY PARTY WITHOUT THE WRITTEN CONSENT OF A.E. STAINLESS DIRECT

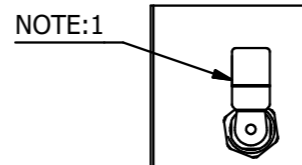
DRAWING NUMBER:  
**SS-SRE-800x600x250**

26/03/2021

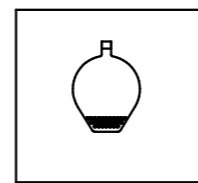
2 OF 2



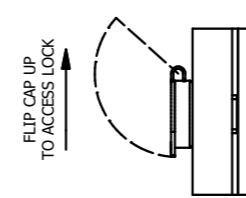
BACK OF LOCK (LOCKED POSITION)



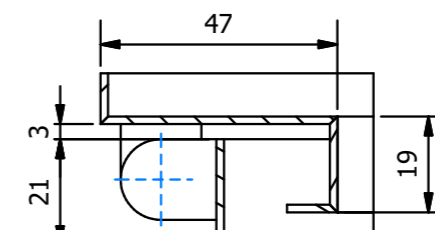
BACK OF LOCK (UNLOCKED POSITION)



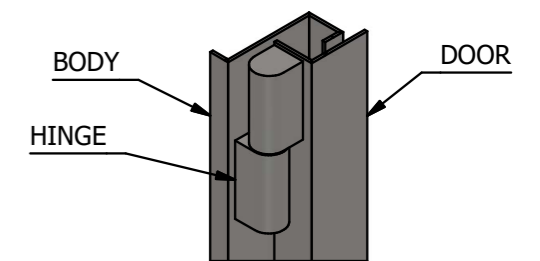
FRONT VIEW



SIDE VIEW



DOOR HINGE SECTION



ISOMETRIC VIEW