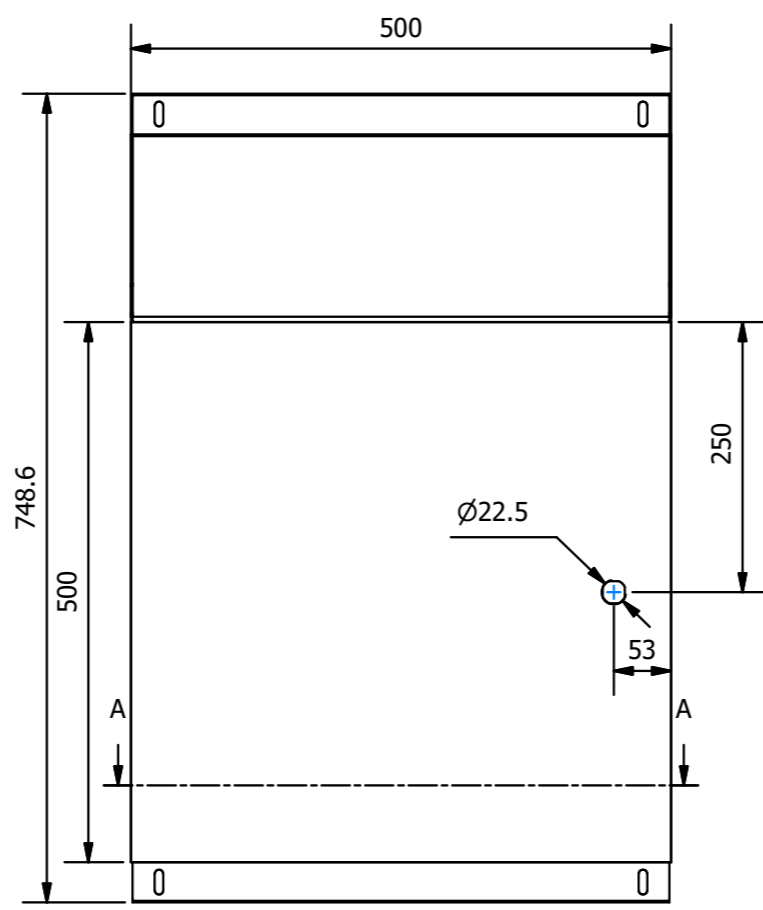
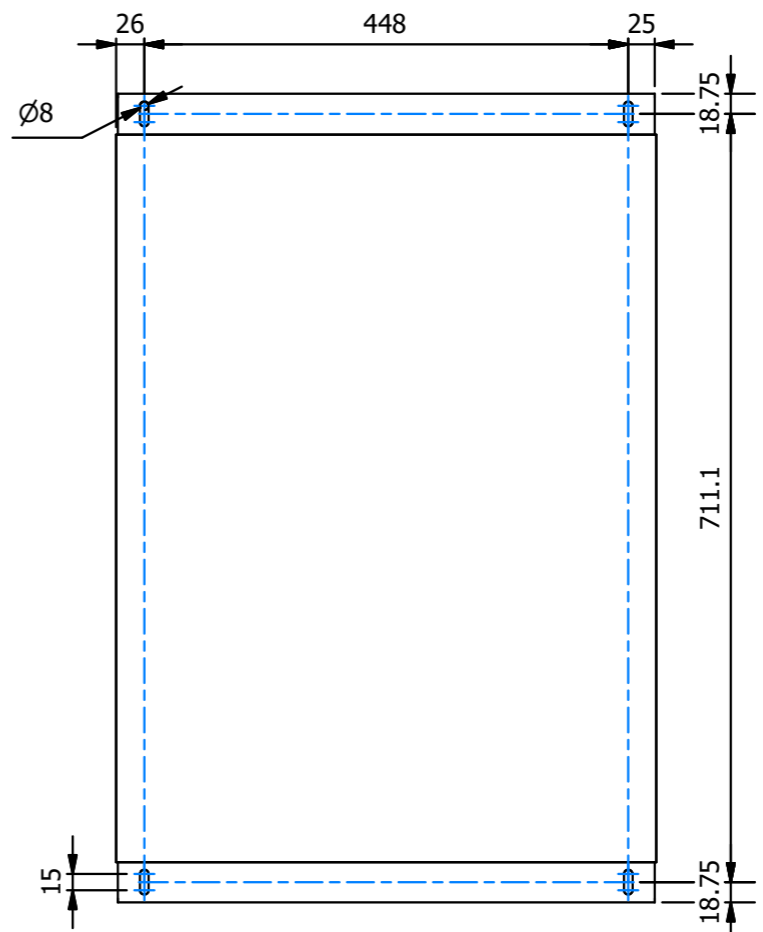


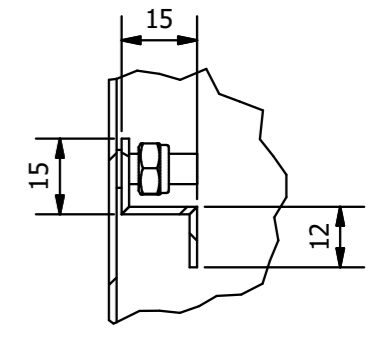
FRONT VIEW WITHOUT DOOR



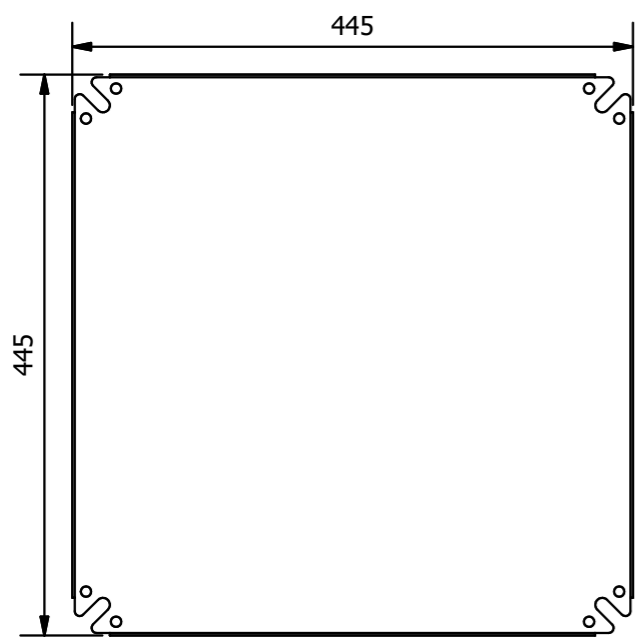
FRONT VIEW



REAR VIEW



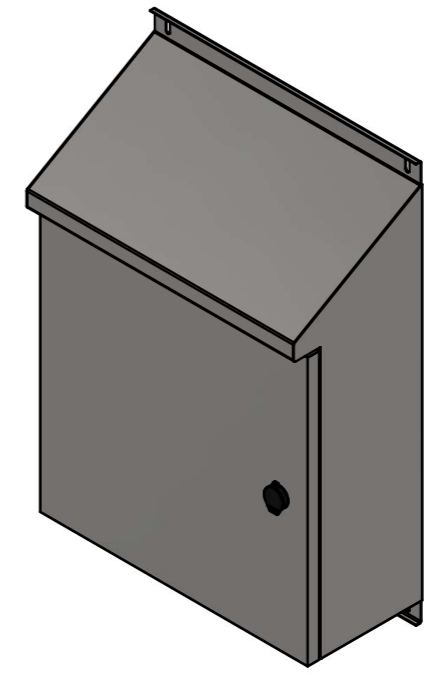
DETAIL B



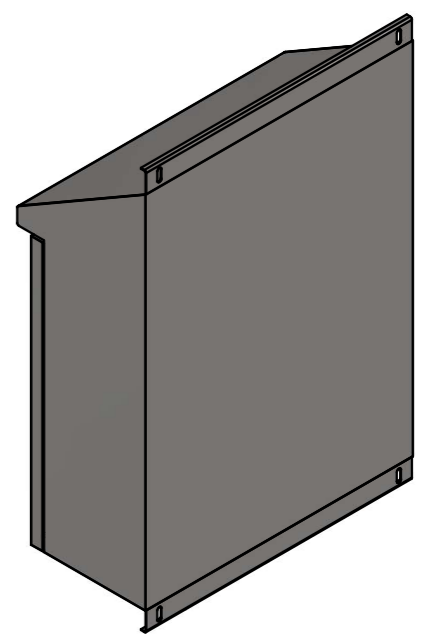
GEAR TRAY



SECTION A-A



ISOMETRIC VIEW



REAR ISOMETRIC VIEW

**A.E. Stainless Direct**  
 P: 1300 533 292  
 A: 4/36 Devlan St, Mansfield QLD 4122  
 E: info@aestainlessdirect.com.au  
 W: aestainlessdirect.com.au

DRAWING NUMBER:  
**SS-SR-500x500x210**

BILL OF MATERIALS				
ITEM	QTY	DESCRIPTION	MATERIAL	THICKNESS
1	1	BODY	SS316N4	1.5 mm
2	1	DOOR	SS316N4	1.5 mm
3	1	GEAR TRAY	GAL - Powder Coated White	2 mm
4	2	Z-BRACKET	GAL - Powder Coated White	1.5 mm
5		GLAND PLATE (OPTIONAL)	BR, AL or SS	

ALL DIMENSIONS ARE IN MILLIMETRES.  
 UNLESS OTHERWISE SPECIFIED

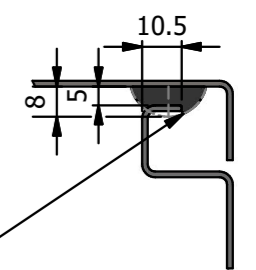
**DO NOT SCALE**

THIS DRAWING INFORMATION AND ALL TECHNICAL DATA ENCLOSED HEREIN IS THE PROPERTY OF A.E. STAINLESS DIRECT AND IS NOT TO BE USED FOR REPRODUCTION, MANUFACTURE PROCUREMENT DISCLOSURE TO ANY PARTY WITHOUT THE WRITTEN CONSENT OF A.E. STAINLESS DIRECT

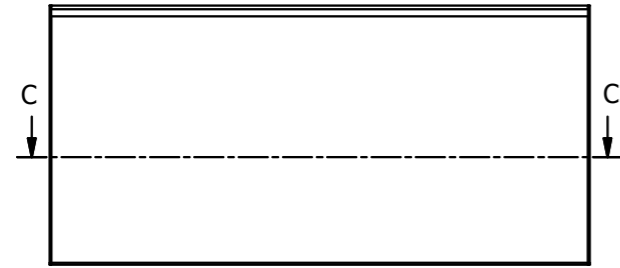
24/03/2021

1 OF 2

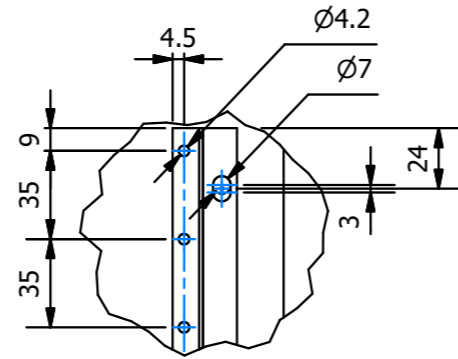
**Typical Poured Seal Detail**  
 Poured in Place Polyurethane



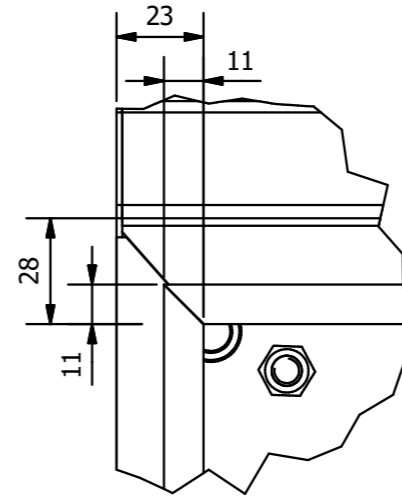
20x8mm FIP  
 3mm Decompression Typical



TOP VIEW

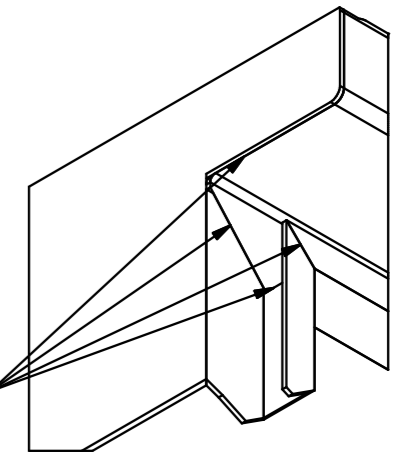


DETAIL F

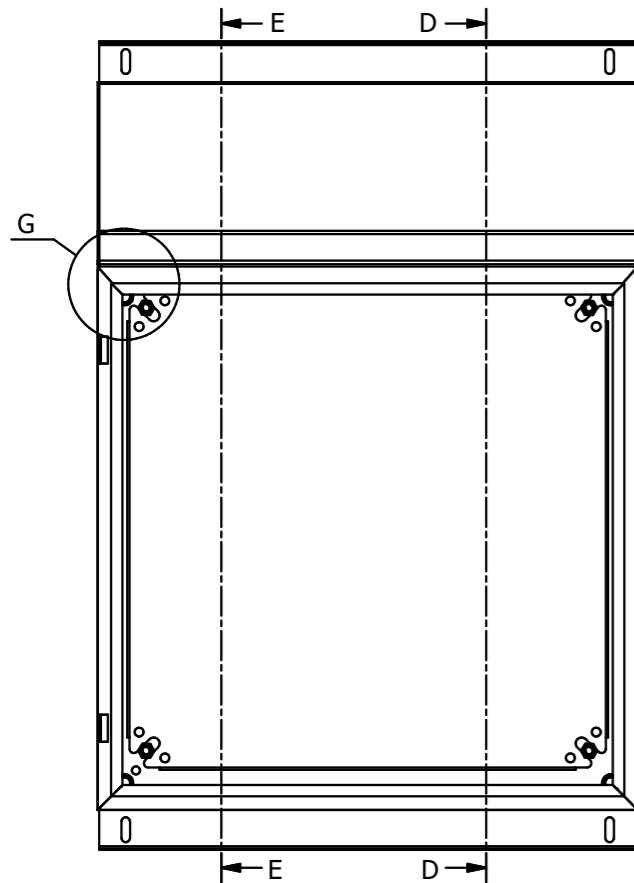


DETAIL G

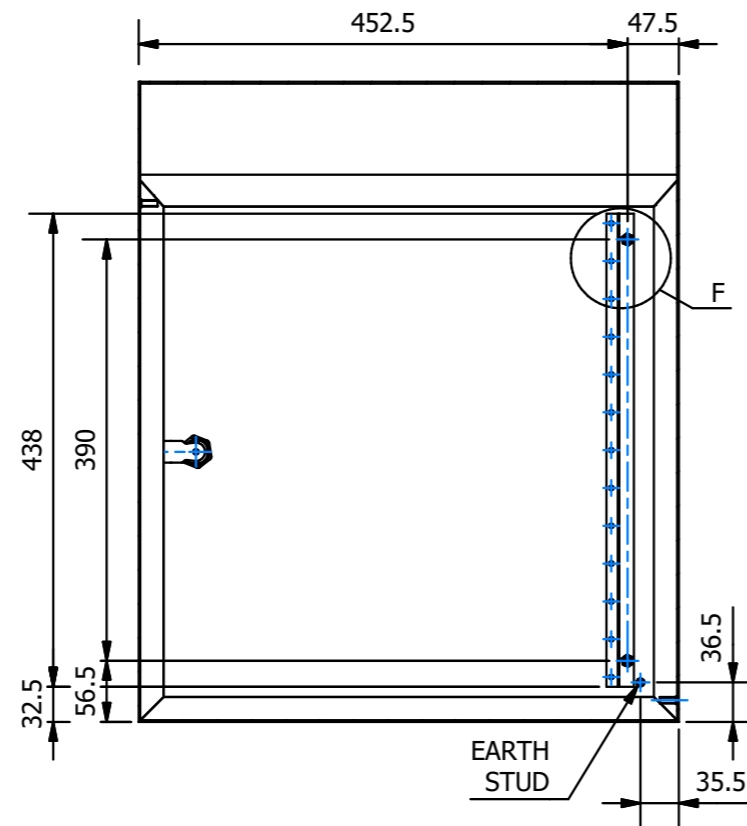
**ALL SEAMS TO BE SEAL WELDED FULLY TO ENSURE IP66 RATING**



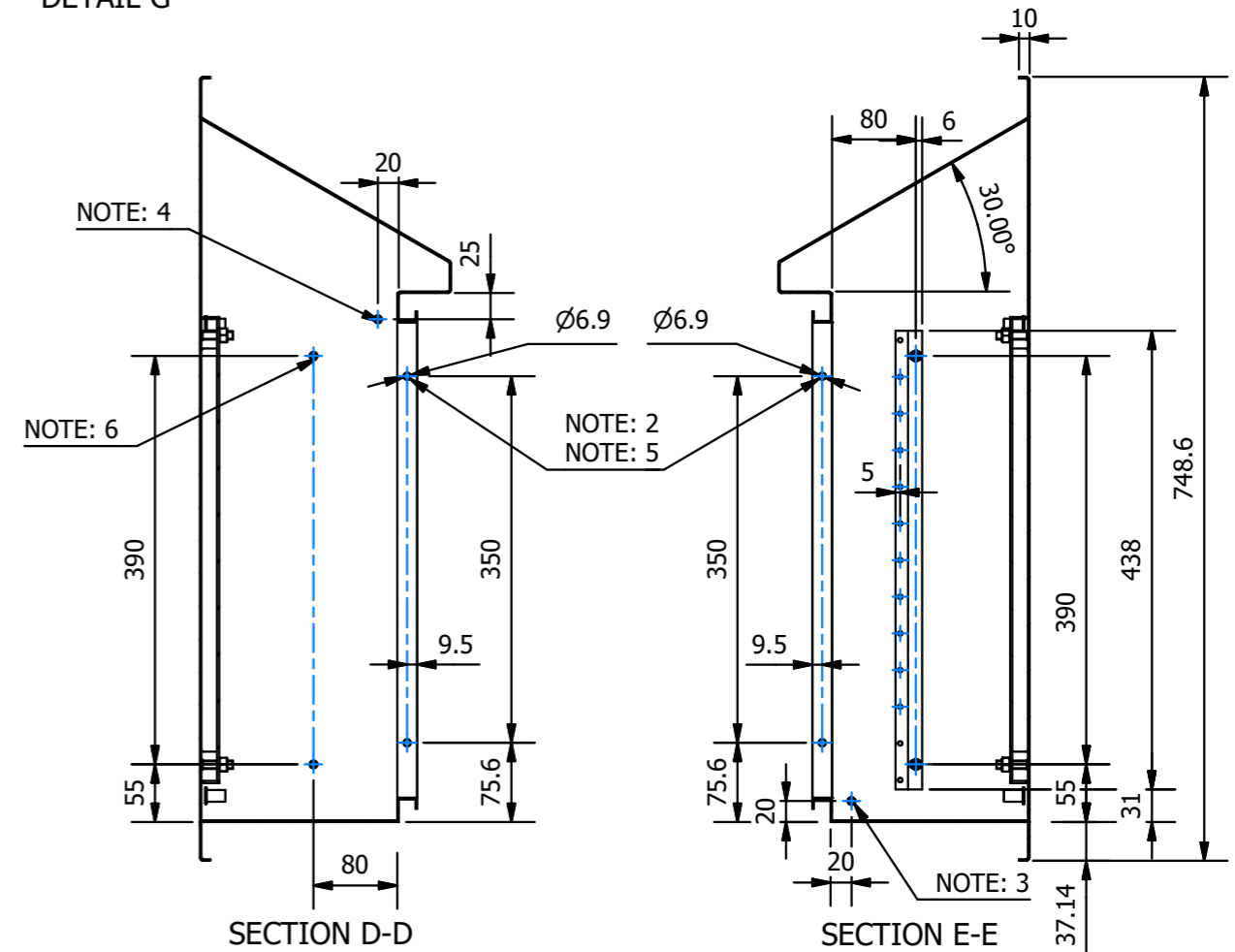
BOTTOM ISOMETRIC VIEW DETAIL G



FRONT VIEW WITHOUT DOOR



SECTION C-C



SECTION D-D

SECTION E-E

**Notes:**

1. Door cam to always face up when lock is in the 'Open/Unlocked' position.
2. Holes for door hinges to be on both sides to allow for left and right hinged door orientation.
3. Earth stud for when door is in the 'normal' left hand hinged orientation.
4. Earth stud for when door is in the right hand hinged orientation.
5. Open hinge holes to be fitted with same bolts as used on hinges, with added plastic washer on inside.
6. Studs for Z-Bracket when door is in the right hand hinged orientation.

P: 1300 533 292  
 A: 4/36 Devlan St, Mansfield QLD 4122  
 E: info@aestainlessdirect.com.au  
 W: aestainlessdirect.com.au

DRAWING NUMBER:  
**SS-SR-500x500x210**

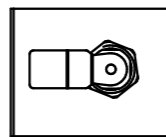
ALL DIMENSIONS ARE IN MILLIMETRES.  
 UNLESS OTHERWISE SPECIFIED

**DO NOT SCALE**

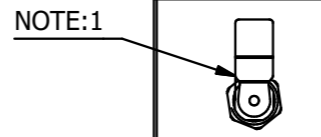
24/03/2021

THIS DRAWING INFORMATION AND ALL TECHNICAL DATA ENCLOSED HEREIN IS THE PROPERTY OF A.E. STAINLESS DIRECT AND IS NOT TO BE USED FOR REPRODUCTION, MANUFACTURE PROCUREMENT DISCLOSURE TO ANY PARTY WITHOUT THE WRITTEN CONSENT OF A.E. STAINLESS DIRECT

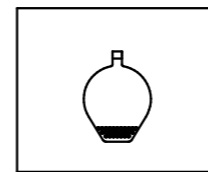
2 OF 2



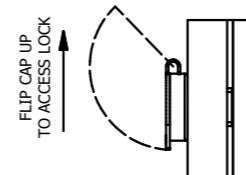
BACK OF LOCK (LOCKED POSITION)



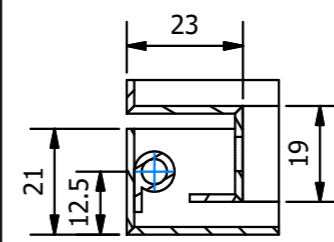
BACK OF LOCK (UNLOCKED POSITION)



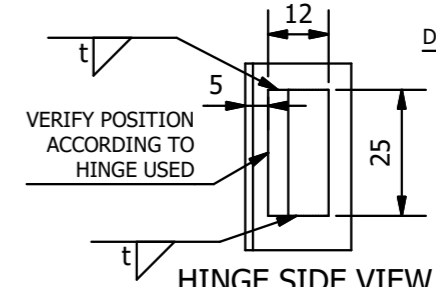
FRONT VIEW



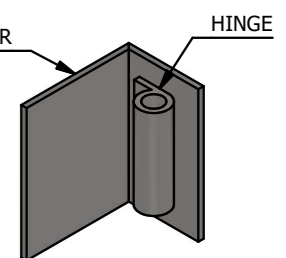
SIDE VIEW



DOOR HINGE SECTION



HINGE SIDE VIEW



ISOMETRIC VIEW