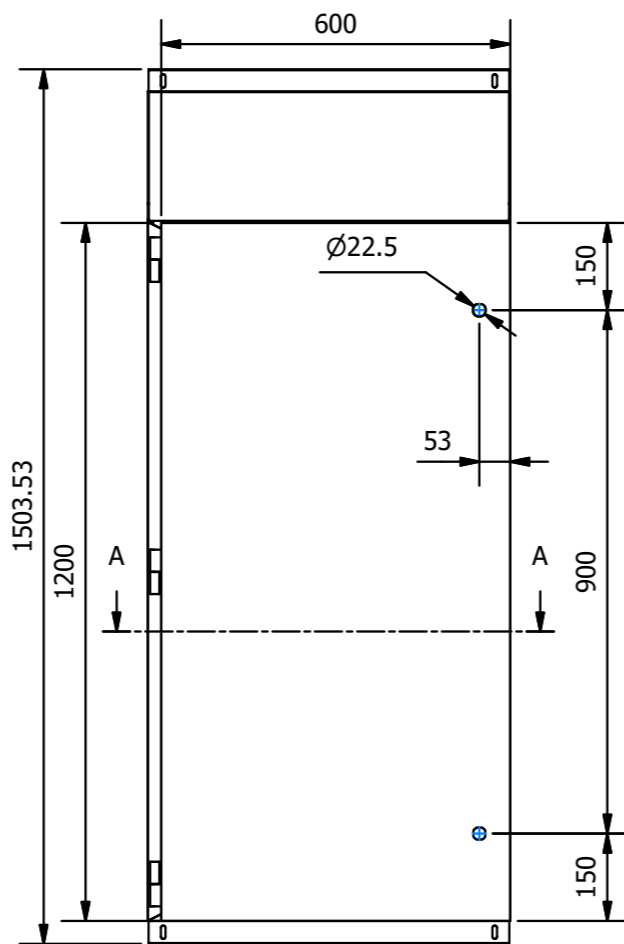
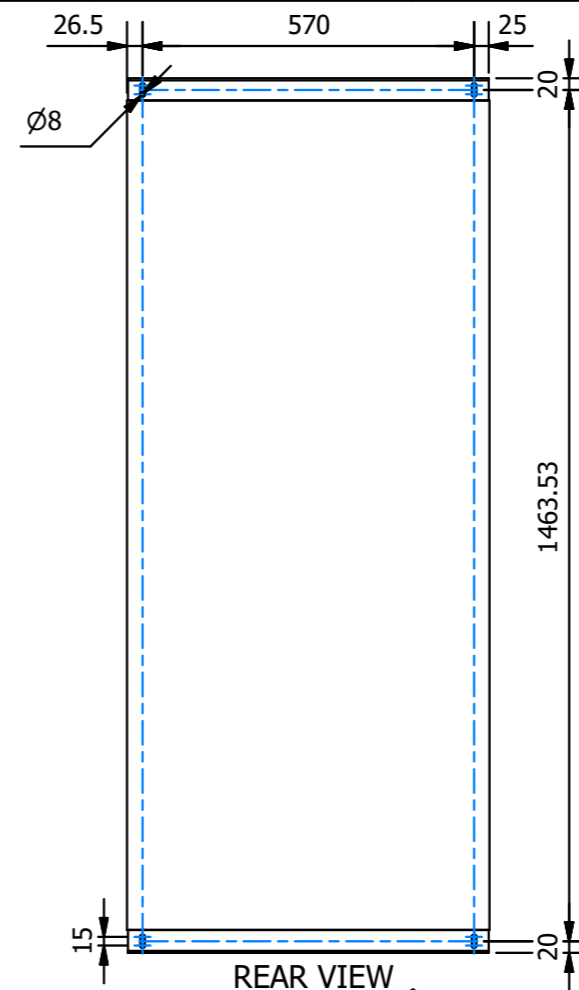


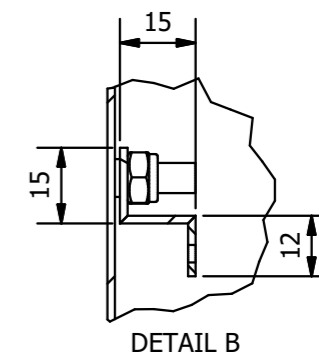
FRONT VIEW  
WITHOUT DOOR



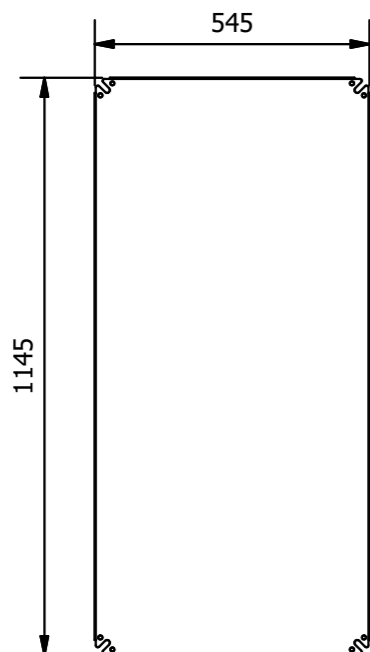
FRONT VIEW



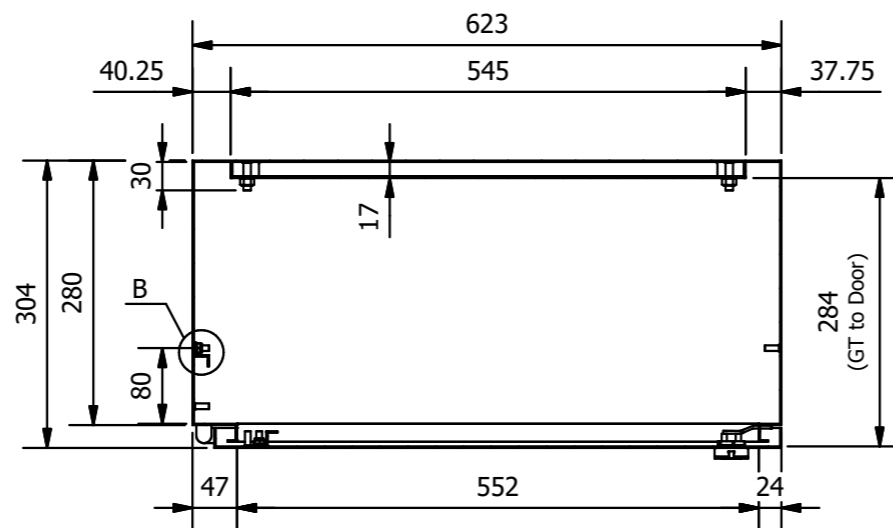
REAR VIEW



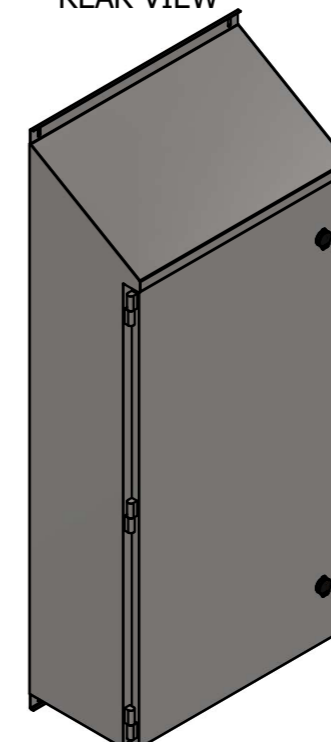
DETAIL B



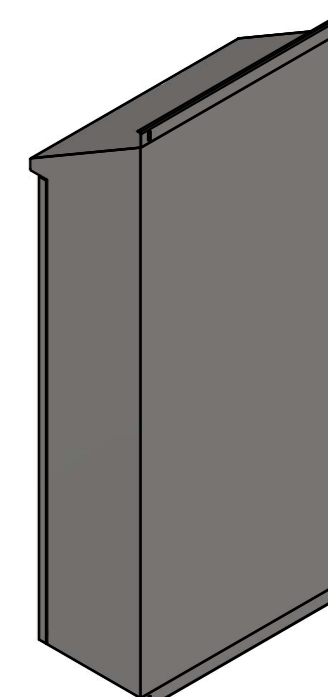
GEAR TRAY



SECTION A-A



ISOMETRIC VIEW



REAR ISOMETRIC VIEW

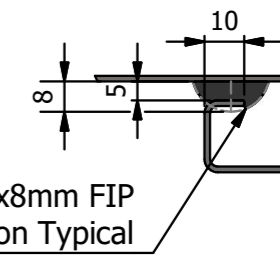
**A.E. Stainless Direct**  
P: 1300 533 292  
A: 4/36 Devlan St, Mansfield QLD 4122  
E: info@aestainlessdirect.com.au  
W: aestainlessdirect.com.au

DRAWING NUMBER:  
**SS-SRE-1200x600x300**

**BILL OF MATERIALS**

ITEM	QTY	DESCRIPTION	MATERIAL	THICKNESS
1	1	3D MODEL	SS316N4	1.5 mm
2	1	DOOR	SS316N4	1.5 mm
3	1	GEAR TRAY	GAL - Powder Coated White	2 mm
4	2	Z-BRACKET	GAL - Powder Coated White	1.5 mm
5		GLAND PLATE (OPTIONAL)	BR, AL or SS	

**Typical Poured Seal Detail**  
Poured in Place Polyurethane



20x8mm FIP  
3mm Decompression Typical

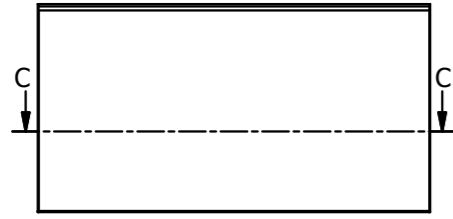
ALL DIMENSIONS ARE IN MILLIMETRES.  
UNLESS OTHERWISE SPECIFIED

7/07/2021

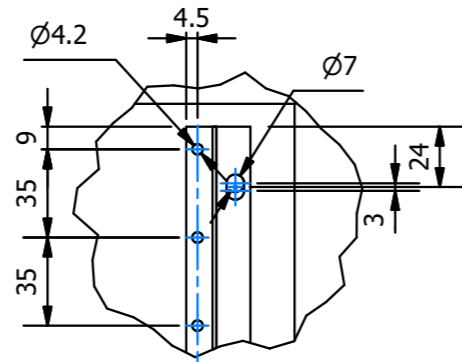
**DO NOT SCALE**

THIS DRAWING INFORMATION AND ALL TECHNICAL DATA  
ENCLOSED HEREIN  
IS THE PROPERTY OF A.E. STAINLESS DIRECT AND IS NOT TO BE  
USED FOR REPRODUCTION, MANUFACTURE PROCUREMENT  
DISCLOSURE TO  
ANY PARTY WITHOUT THE WRITTEN CONSENT  
OF A.E. STAINLESS DIRECT

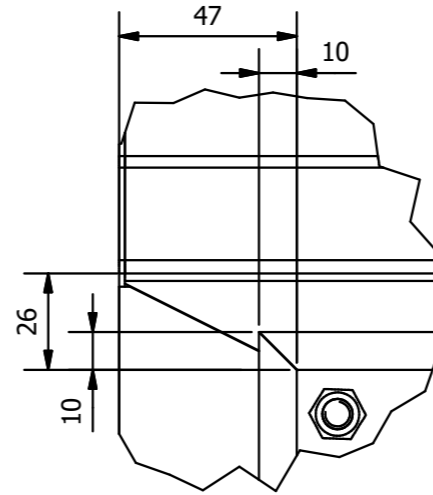
1 OF 2



TOP VIEW

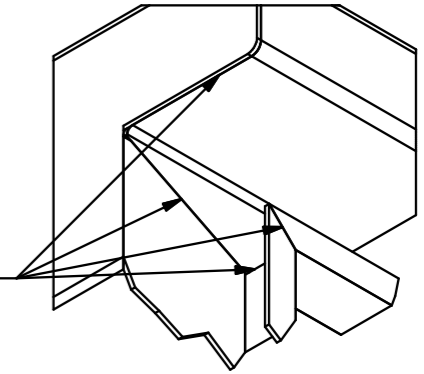


DETAIL F

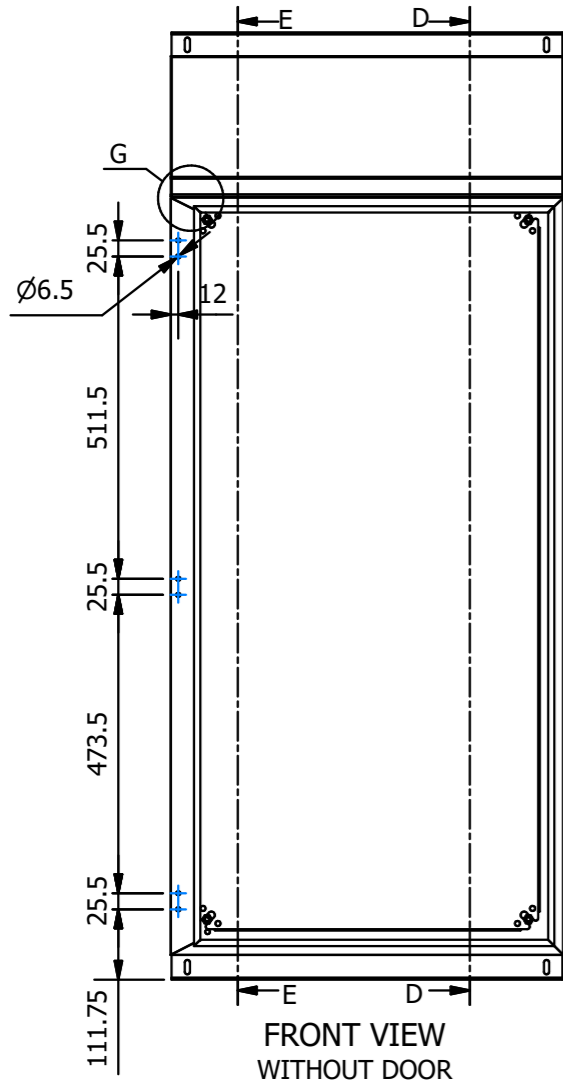


DETAIL G

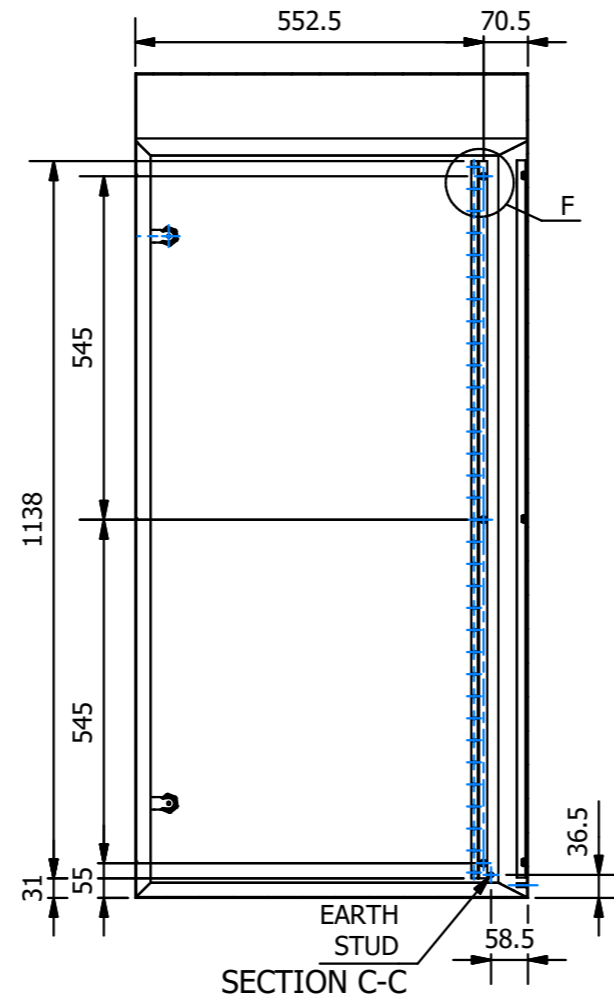
ALL SEAMS TO BE SEAL  
WELDED FULLY TO  
ENSURE IP66 RATING



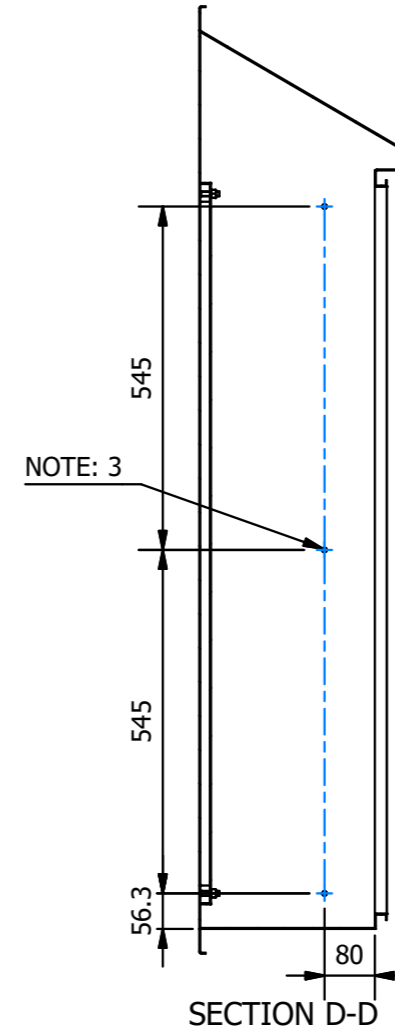
BOTTOM ISOMETRIC VIEW  
DETAIL G



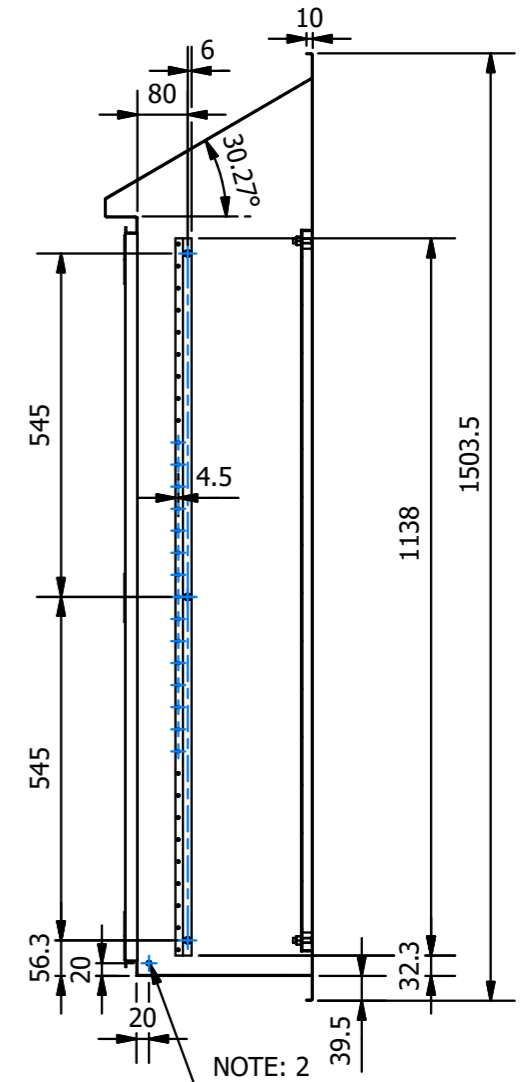
FRONT VIEW  
WITHOUT DOOR



SECTION C-C



SECTION D-D



SECTION E-E

- Notes:**
1. Door cam to always face up when lock is in the 'Open/Unlocked' position.
  2. Earth stud
  3. Studs for Z-Bracket/inner door.

A.E. Stainless Direct  
P: 1300 533 292  
A: 4/36 Devlan St, Mansfield QLD 4122  
E: info@aestainlessdirect.com.au  
W: aestainlessdirect.com.au

DRAWING NUMBER:  
**SS-SRE-1200x600x300**

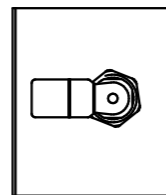
ALL DIMENSIONS ARE IN MILLIMETRES.  
UNLESS OTHERWISE SPECIFIED

7/07/2021

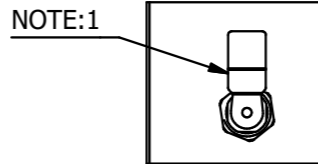
DO NOT SCALE

2 OF 2

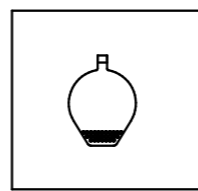
THIS DRAWING INFORMATION AND ALL TECHNICAL DATA  
ENCLOSED HEREIN IS THE PROPERTY OF A.E. STAINLESS DIRECT AND IS NOT TO BE  
USED FOR REPRODUCTION, MANUFACTURE PROCUREMENT  
DISCLOSURE TO ANY PARTY WITHOUT THE WRITTEN CONSENT  
OF A.E. STAINLESS DIRECT



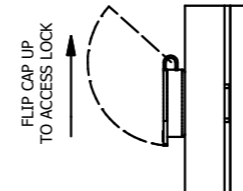
BACK OF LOCK  
(LOCKED POSITION)



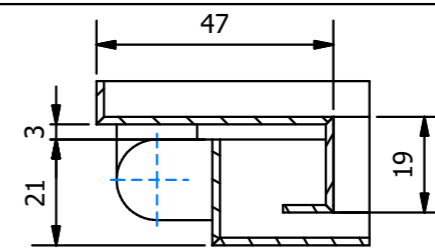
BACK OF LOCK  
(UNLOCKED POSITION)



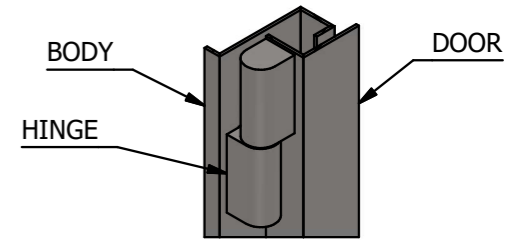
FRONT VIEW



SIDE VIEW



DOOR HINGE SECTION



ISOMETRIC VIEW